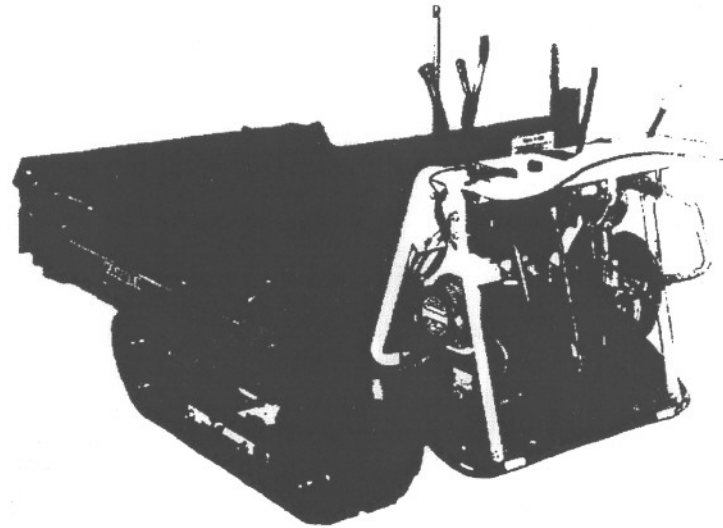


**YANMAR GASOLINE
CARRIER**

**YMMCG 1200 FLD
YMMCG 1200 F-PQ**

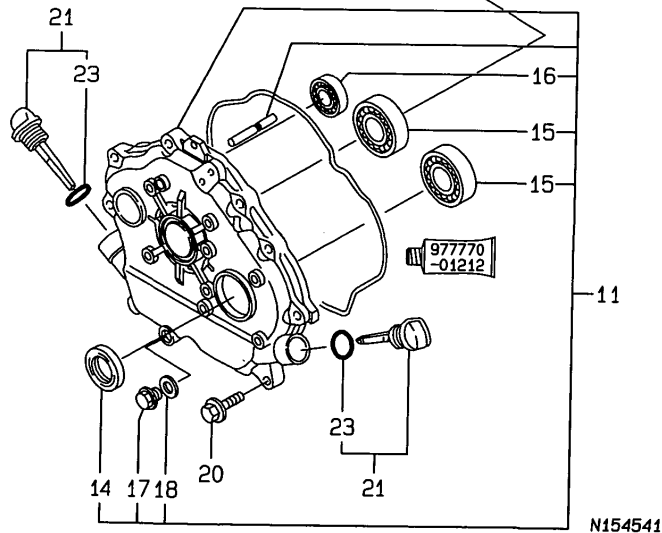
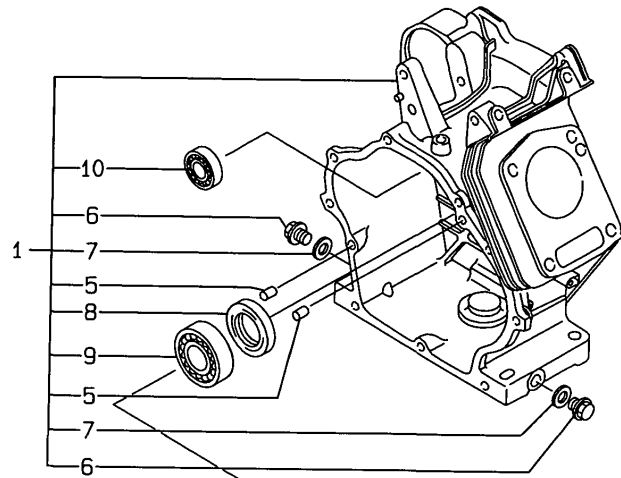
PARTS CATALOG



YANMAR AGRICULTURAL EQUIPMENT CO.,LTD.

1. CYLINDER BLOCK

(A)=GA280SNS (D)=
 (B)= (E)=
 (C)= (F)=

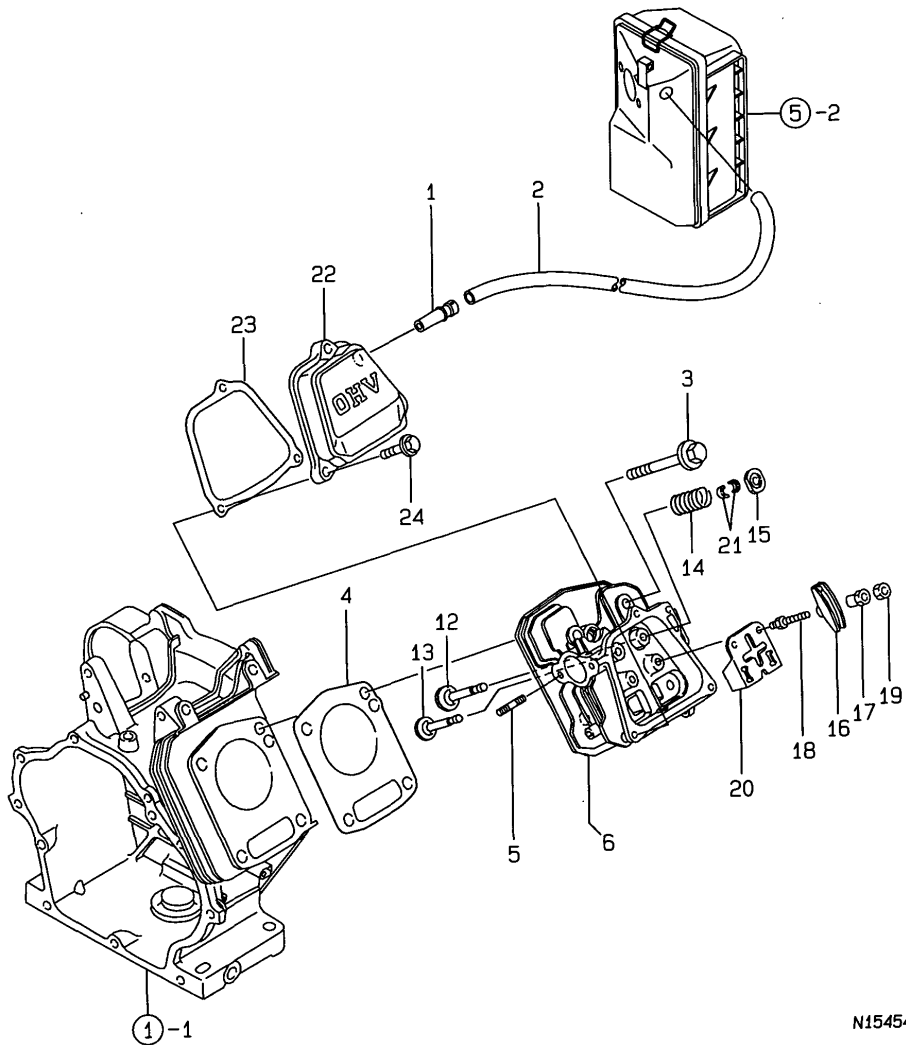


| REF. | LEV. | PARTS NO. | DESCRIPTION | QTY | | | | | | I | R |
|------|------|--------------|----------------------|-----|-----|-----|-----|-----|-----|---|---|
| | | | | (A) | (B) | (C) | (D) | (E) | (F) | | |
| 1 | 1 | 760890-01560 | BLOCK ASSY, CYLINDER | 1 | | | | | | | |
| 5 | 2 | 114270-01600 | PARALLEL PIN 8X12 | 2 | | | | | | | |
| 6 | 2 | 160610-01690 | PLUG, DRAIN | 2 | | | | | | | |
| 7 | 2 | 104200-59170 | GASKET 12 | 2 | | | | | | | |
| 8 | 2 | 160110-02220 | SEAL, OIL | 1 | | | | | | | |
| 9 | 2 | 129900-26250 | BALL BEARING | 1 | | | | | | | |
| 10 | 2 | 160903-28020 | BALL BEARING | 1 | | | | | | | |
| 11 | 1 | 760792-01501 | COVER, CRANKCASE | 1 | | | | | | | |
| 14 | 2 | 160110-02220 | SEAL, OIL | 1 | | | | | | | |
| 15 | 2 | 129900-26250 | BALL BEARING | 2 | | | | | | | |
| 16 | 2 | 160903-28020 | BALL BEARING | 1 | | | | | | | |
| 17 | 2 | 160610-01690 | PLUG, DRAIN | 1 | | | | | | | |
| 18 | 2 | 104200-59170 | GASKET 12 | 1 | | | | | | | |
| 20 | 1 | 26106-080302 | BOLT M 8X 30 PLATED | 9 | | | | | | | |
| 21 | 1 | 160810-01740 | CAP, W/LUB.OIL GAUGE | 2 | | | | | | | |
| 23 | 2 | 24311-000180 | O-RING 1A P-18.0 | 2 | | | | | | | |

Remarks
 (REMARKS)"EFFECTIVE MACHINE NO." OF
 ENGINE IS INDICATED ON THE
 ENGINE LABEL WHICH IS SHOWN
 IN FIG.10.

2. CYLINDER HEAD & BONNET

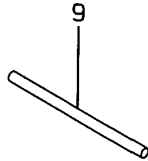
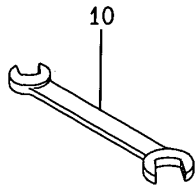
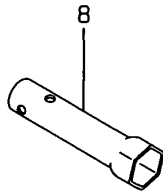
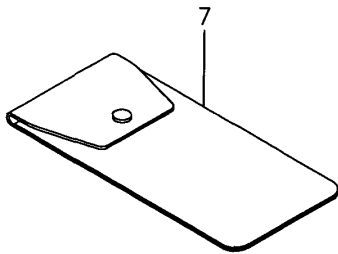
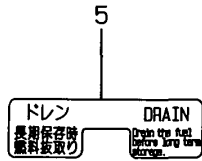
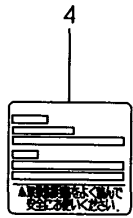
(A)=GA280SNS (D)=
 (B)= (E)=
 (C)= (F)=



| REF. | LEV. | PARTS NO. | DESCRIPTION | QTY | | | | | | I | R |
|------|------|--------------|---------------------|-----|-----|-----|-----|-----|-----|---|---|
| | | | | (A) | (B) | (C) | (D) | (E) | (F) | | |
| 1 | 1 | 160610-03050 | BREATHER ASSY | 1 | | | | | | | |
| 2 | 1 | 160820-03180 | PIPE, BREATHER | 1 | | | | | | | |
| 3 | 1 | 160890-01210 | BOLT 10X 70 | 4 | | | | | | | |
| 4 | 1 | 160890-01330 | GASKET, CYL. HEAD | 1 | | | | | | | |
| 5 | 1 | 160890-04330 | BOLT M 8X 18 | 2 | | | | | | | |
| 6 | 1 | 160890-11011 | HEAD ASSY, CYLINDER | 1 | | | | | | | |
| 12 | 1 | 160890-11101 | VALVE, SUCTION | 1 | | | | | | | |
| 13 | 1 | 160890-11111 | VALVE, EXHAUST | 1 | | | | | | | |
| 14 | 1 | 160890-11120 | SPRING, VALVE | 2 | | | | | | | |
| 15 | 1 | 160890-11190 | RETAINER, VALVE SP. | 2 | | | | | | | |
| 16 | 1 | 160890-11202 | ARM, ROCKER | 2 | | | | | | | |
| 17 | 1 | 160690-11221 | PIVOT,ROCKER ARM | 2 | | | | | | | |
| 18 | 1 | 160890-11270 | BOLT,ROCKER ARM | 2 | | | | | | | |
| 19 | 1 | 160690-11280 | NUT M6X 0.5 | 2 | | | | | | | |
| 20 | 1 | 160890-11290 | PLATE, GUIDE | 1 | | | | | | | |
| 21 | 1 | 120380-11350 | COTTER | 4 | | | | | | | |
| 22 | 1 | 160890-11300 | BONNET | 1 | | | | | | | |
| 23 | 1 | 160890-11311 | GASKET, BONNET | 1 | | | | | | | |
| 24 | 1 | 26106-060352 | BOLT M 6X 35 PLATED | 3 | | | | | | | |

Remarks
 (REMARKS)"EFFECTIVE MACHINE NO." OF
 ENGINE IS INDICATED ON THE
 ENGINE LABEL WHICH IS SHOWN
 IN FIG.10.

3. TOOL & LABEL



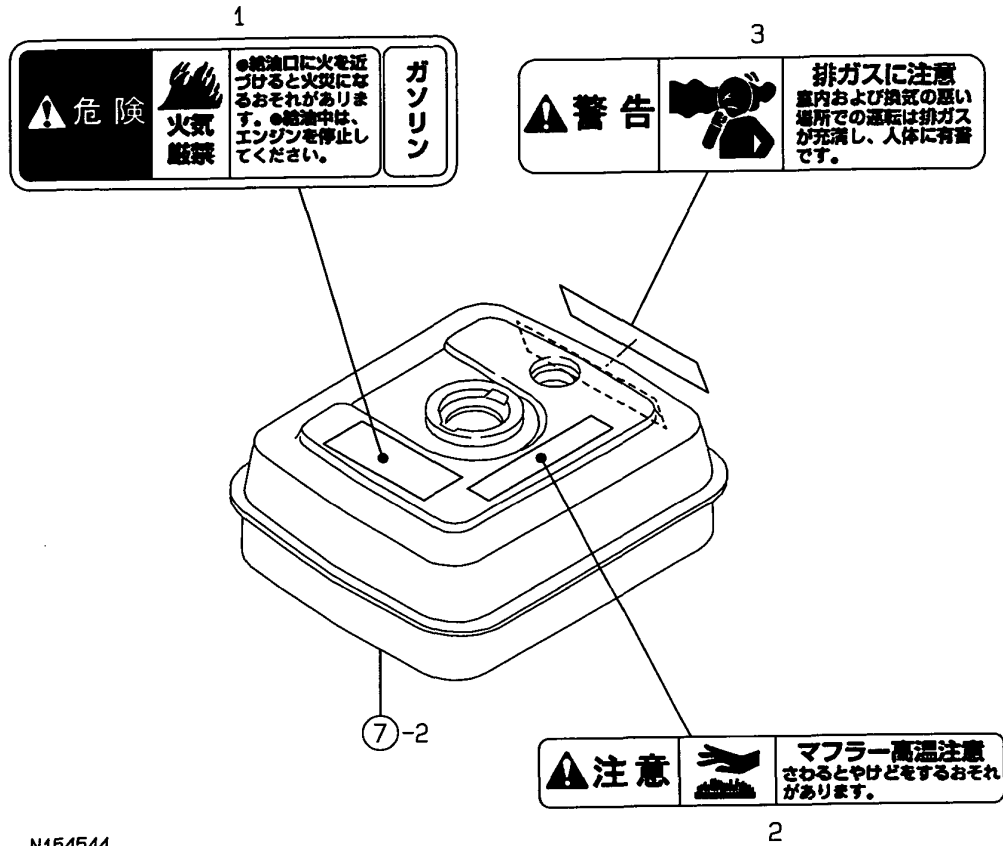
NPC-3910 3. TOOL & LABEL

(A)=GA280SNS (D)=
 (B)= (E)=
 (C)= (F)=

| REF. | LEV. | PARTS NO. | DESCRIPTION | QTY | | | | | | I | R |
|------|------|--------------|---------------------|-----|-----|-----|-----|-----|-----|---|---|
| | | | | (A) | (B) | (C) | (D) | (E) | (F) | | |
| 3 | 1 | 160890-07150 | LABEL, FINGER START | 1 | | | | | | | |
| 4 | 1 | 160692-07251 | LABEL, CAUTION | 1 | | | | | | | |
| 5 | 1 | 160690-07260 | LABEL, DRAIN | 1 | | | | | | | |
| 6 | 1 | 160520-07370 | LABEL, CLEANER | 1 | | | | | | | |
| 7 | 1 | 160110-92610 | BAG, TOOL | 1 | | | | | | | |
| 8 | 1 | 160120-92700 | SPANNER, BOX | 1 | | | | | | | |
| 9 | 1 | 160110-92710 | BAR | 1 | | | | | | | |
| 10 | 1 | 28110-100120 | WRENCH 10X12 | 1 | | | | | | | |

Remarks
 (REMARKS)"EFFECTIVE MACHINE NO." OF
 ENGINE IS INDICATED ON THE
 ENGINE LABEL WHICH IS SHOWN
 IN FIG.10.

4. LABEL(SAFETY)



N154544

Remarks
 (REMARKS)"EFFECTIVE MACHINE NO." OF
 ENGINE IS INDICATED ON THE
 ENGINE LABEL WHICH IS SHOWN
 IN FIG.10.

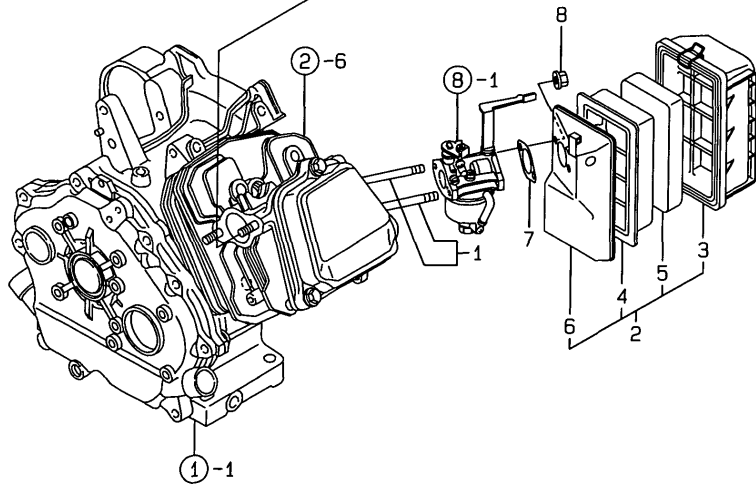
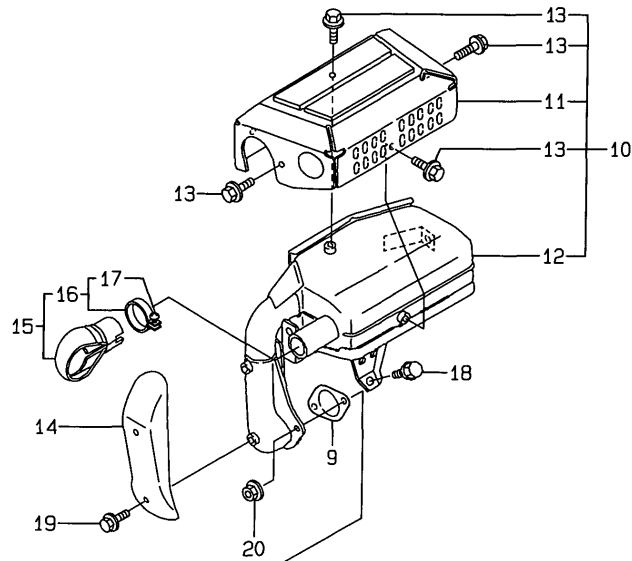
NPC-3910 4. LABEL(SAFETY)

(A)=GA280SNS (D)=
 (B)= (E)=
 (C)= (F)=

| REF. | LEV. | PARTS NO. | DESCRIPTION | QTY | | | | | | I | R | |
|------|------|--------------|----------------------|-----|-----|-----|-----|-----|-----|---|---|--|
| | | | | (A) | (B) | (C) | (D) | (E) | (F) | | | |
| 1 | 1 | 1A2100-86500 | DANGER,FIRE PROHIBIT | 1 | | | | | | | | |
| 2 | 1 | 1E5120-86720 | CAUTION,MUFFLER | 1 | | | | | | | | |
| 3 | 1 | 1E5120-86600 | WARNING,EXHAUST GAS | 1 | | | | | | | | |

5. AIR CLEANER & MUFFLER

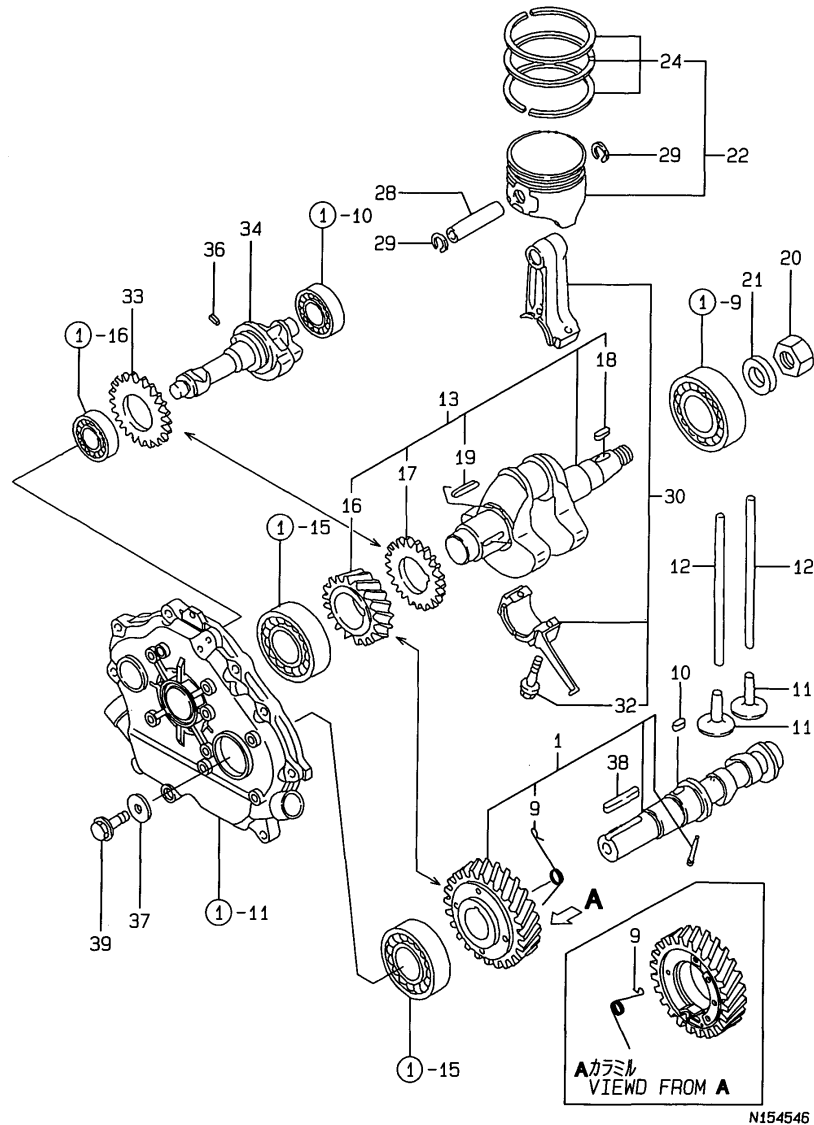
(A)=GA280SNS (D)=
 (B)= (E)=
 (C)= (F)=



| REF. | LEV. | PARTS NO. | DESCRIPTION | QTY | | | | | | I | R | |
|------|------|--------------|---------------------|-----|-----|-----|-----|-----|-----|---|---|--|
| | | | | (A) | (B) | (C) | (D) | (E) | (F) | | | |
| 1 | 1 | 160890-04320 | BOLT M 8X 85 | | | | | 2 | | | | |
| 2 | 1 | 160890-12500 | CLEANER ASSY, AIR | | | | | 1 | | | | |
| 3 | 2 | 160790-12510 | COVER, AIR CLEANER | | | | | 1 | | | | |
| 4 | 2 | 160790-12530 | HOLDER, ELEMENT | | | | | 1 | | | | |
| 5 | 2 | 160790-12540 | ELEMENT | | | | | 1 | | | | |
| 6 | 2 | 160890-12520 | CASE, AIR CLEANER | | | | | 1 | | | | |
| 7 | 1 | 160910-56151 | GASKET, CARBURETOR | | | | | 1 | | | | |
| 8 | 1 | 26366-080002 | NUT M 8 | | | | | 2 | | | | |
| 9 | 1 | 160890-13210 | GASKET, MUFFLER | | | | | 1 | | | | |
| 10 | 1 | 160890-13602 | MUFFLER ASSY | | | | | 1 | | | | |
| 11 | 2 | 160890-13530 | COVER, MUFFLER | | | | | 1 | | | | |
| 12 | 2 | 160890-13580 | MUFFLER | | | | | 1 | | | | |
| 13 | 2 | 114252-13950 | BOLT M 6X 8 PLATED | | | | | 4 | | | | |
| 14 | 1 | 160890-13660 | COVER, ELBOW | | | | | 1 | | | | |
| 15 | 1 | 114252-13800 | PIPE ASSY, EXTERNAL | | | | | 1 | | | | |
| 16 | 2 | 114252-13910 | CLAMP | | | | | 1 | | | | |
| 17 | 3 | 114252-13960 | SCREW 6X 25 | | | | | 1 | | | | |
| 18 | 1 | 160890-13910 | BOLT M 6X 20 | | | | | 1 | | | | |
| 19 | 1 | 114252-13950 | BOLT M 6X 8 PLATED | | | | | 2 | | | | |
| 20 | 1 | 26366-080002 | NUT M 8 | | | | | 2 | | | | |

Remarks
 (REMARKS)"EFFECTIVE MACHINE NO." OF
 ENGINE IS INDICATED ON THE
 ENGINE LABEL WHICH IS SHOWN
 IN FIG.10.

6. CRANKSHAFT,PISTON & CAMSHAFT



NPC-3910 6. CRANKSHAFT,PISTON & CAMSHAFT

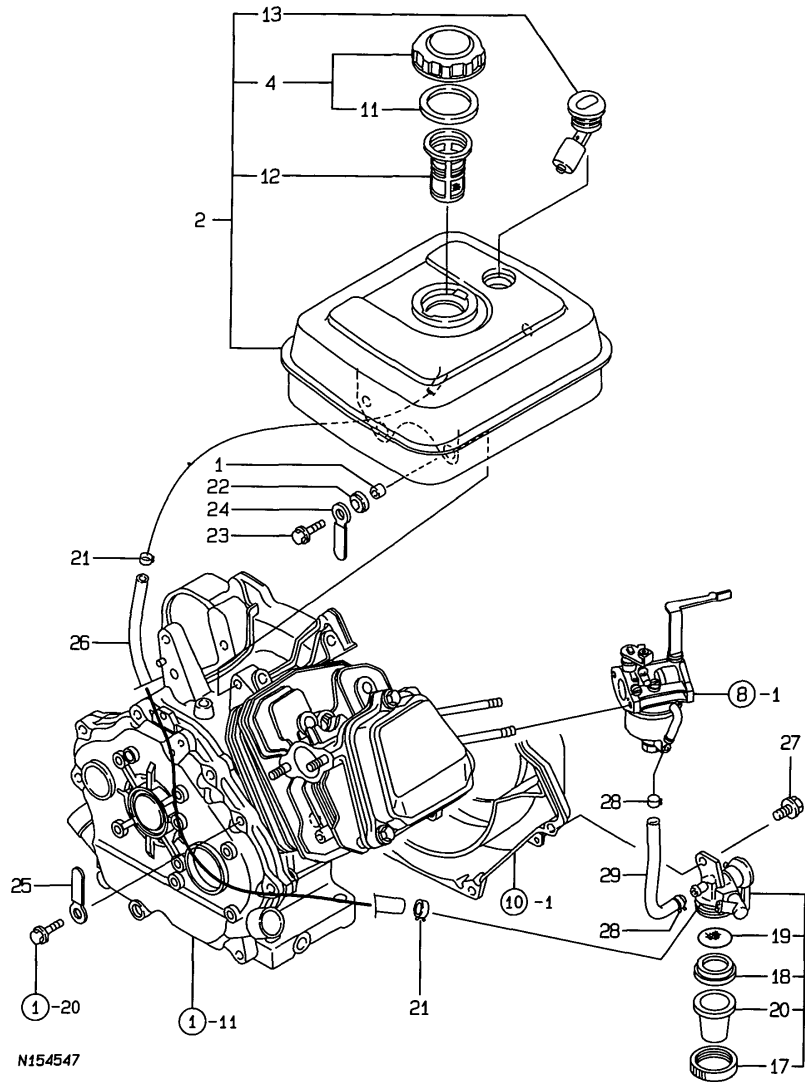
(A)=GA280SNS (D)=
 (B)= (E)=
 (C)= (F)=

| REF. | LEV. | PARTS NO. | DESCRIPTION | QTY | | | | | | I | R |
|------|------|--------------|----------------------|-----|-----|-----|-----|-----|-----|---|---|
| | | | | (A) | (B) | (C) | (D) | (E) | (F) | | |
| 1 | 1 | 160890-14051 | CAMSHAFT ASSY | 1 | | | | | | | |
| 9 | 2 | 160890-14560 | SPRING, DECOMP. | 1 | | | | | | | |
| 10 | 1 | 22512-050160 | KEY 5X16,FEATHER | 1 | | | | | | | |
| 11 | 1 | 160890-14200 | TAPPET | 2 | | | | | | | |
| 12 | 1 | 160890-14400 | ROD, PUSH | 2 | | | | | | | |
| 13 | 1 | 760890-21700 | CRANKSHAFT ASSY | 1 | | | | | | | |
| 16 | 2 | 160890-21200 | GEAR, CRANKSHAFT | 1 | | | | | | | |
| 17 | 2 | 160890-21220 | GEAR, BALANCER | 1 | | | | | | | |
| 18 | 2 | 22512-040160 | KEY 4X 16 | 1 | | | | | | | |
| 19 | 2 | 22512-040300 | KEY 4X 30 | 1 | | | | | | | |
| 20 | 1 | 26737-160002 | NUT M16 | 1 | | | | | | | |
| 21 | 1 | 22137-160000 | WASHER 16,POLISHED | 1 | | | | | | | |
| 22 | 1 | 160890-22011 | PISTON W/RING | 1 | | | | | | | |
| 24 | 2 | 760890-22500 | RING SET, PISTON | 1 | | | | | | | |
| 28 | 1 | 160890-22300 | PIN, PISTON | 1 | | | | | | | |
| 29 | 1 | 22252-000190 | CIRCLIP 19 | 2 | | | | | | | |
| 30 | 1 | 760890-23700 | ROD ASSY, CONNECTING | 1 | | | | | | | |
| 32 | 2 | 160810-23201 | BOLT, ROD | 2 | | | | | | | |
| 33 | 1 | 160890-21220 | GEAR, BALANCER | 1 | | | | | | | |
| 34 | 1 | 160890-28010 | SHAFT, BALANCER | 1 | | | | | | | |
| 36 | 1 | 22351-040008 | SPRING PIN 4X 8 | 1 | | | | | | | |
| 37 | 1 | 160310-14550 | WASHER | 1 | | | | | | | |
| 38 | 1 | 22512-070380 | KEY 7X 38 | 1 | | | | | | | |
| 39 | 1 | 26106-080202 | BOLT M 8X 20 PLATED | 1 | | | | | | | |

Remarks
 (REMARKS)"EFFECTIVE MACHINE NO." OF
 ENGINE IS INDICATED ON THE
 ENGINE LABEL WHICH IS SHOWN
 IN FIG.10.

7. FUEL OIL TANK & FUEL OIL LINE

(A)=GA280SNS (D)=
 (B)= (E)=
 (C)= (F)=



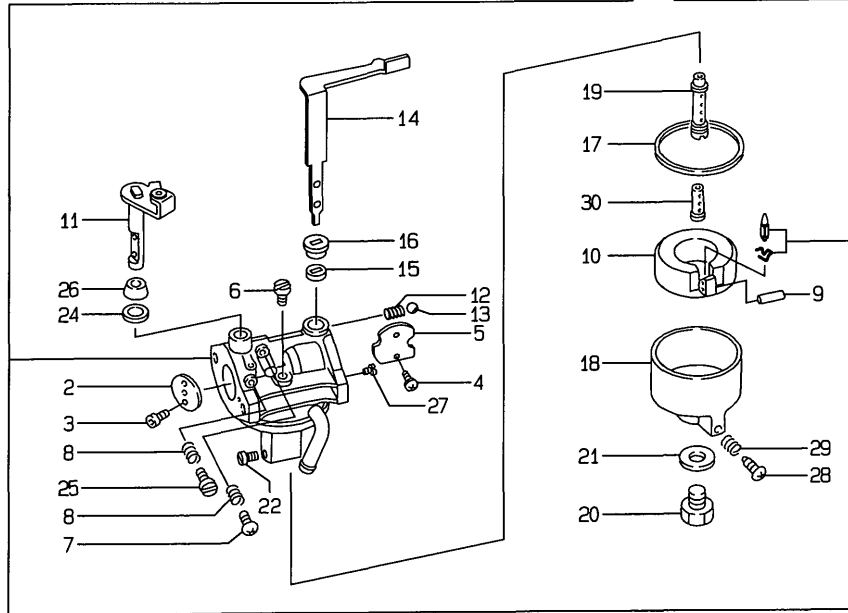
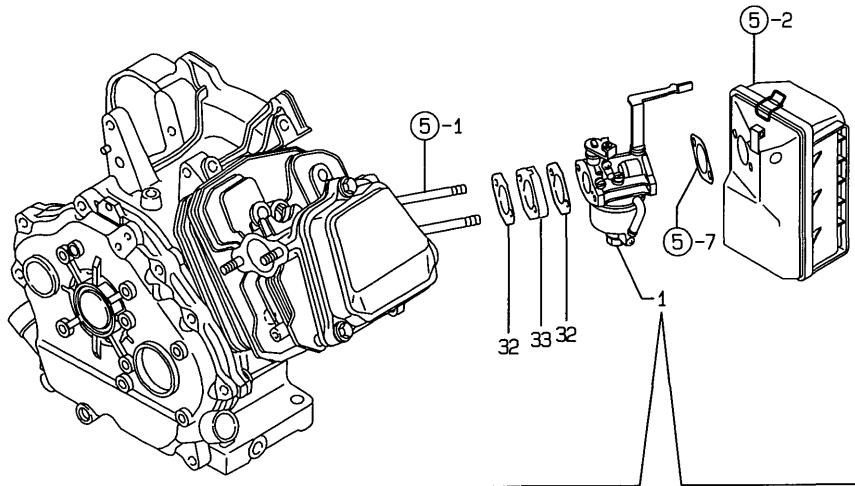
N154547

| REF. | LEV. | PARTS NO. | DESCRIPTION | QTY | | | | | | I | R |
|------|------|--------------|----------------------|-----|-----|-----|-----|-----|-----|---|---|
| | | | | (A) | (B) | (C) | (D) | (E) | (F) | | |
| 1 | 1 | 114250-45310 | COLLAR | | 4 | | | | | | |
| 2 | 1 | 760890-55730 | TANK, FUEL (RED)(50) | | 1 | | | | | | |
| 4 | 2 | 160710-55061 | CAP ASSY, FUEL TANK | | 1 | | | | | | |
| 11 | 3 | 160393-55050 | GASKET, TANK CAP | | 1 | | | | | | |
| 12 | 2 | 160610-55100 | STRAINER | | 1 | | | | | | |
| 13 | 2 | 160762-55150 | GAUGE, FUEL | | 1 | | | | | | |
| 14 | 1 | 160692-55330 | COCK ASSY, FUEL | | 1 | | | | | | |
| 17 | 2 | 160710-55360 | RING | | 1 | | | | | | |
| 18 | 2 | 160710-55370 | GASKET | | 1 | | | | | | |
| 19 | 2 | 160710-55382 | FILTER | | 1 | | | | | | |
| 20 | 2 | 160903-55390 | CAP | | 1 | | | | | | |
| 21 | 1 | 106990-44660 | CLIP,HOSE | | 2 | | | | | | |
| 22 | 1 | 160690-55462 | DAMPER, FUEL TANK | | 4 | | | | | | |
| 23 | 1 | 160690-55140 | BOLT, FAN CASE | | 4 | | | | | | |
| 24 | 1 | 160710-78710 | CLAMP, CORD | | 1 | | | | | | |
| 25 | 1 | 160820-78710 | CLAMP, CORD | | 1 | | | | | | |
| 26 | 1 | 160920-59351 | HOSE, FUEL | | 1 | | | | | | |
| 27 | 1 | 26106-060102 | BOLT M 6X 10 PLATED | | 1 | | | | | | |
| 28 | 1 | 119520-03990 | HOSE CLAMP | | 2 | | | | | | |
| 29 | 1 | 160792-59361 | PIPE, FUEL | | 1 | | | | | | |

Remarks
 (REMARKS)"EFFECTIVE MACHINE NO." OF
 ENGINE IS INDICATED ON THE
 ENGINE LABEL WHICH IS SHOWN
 IN FIG.10.

8. CARBURETOR

(A)=GA280SNS (D)=
 (B)= (E)=
 (C)= (F)=

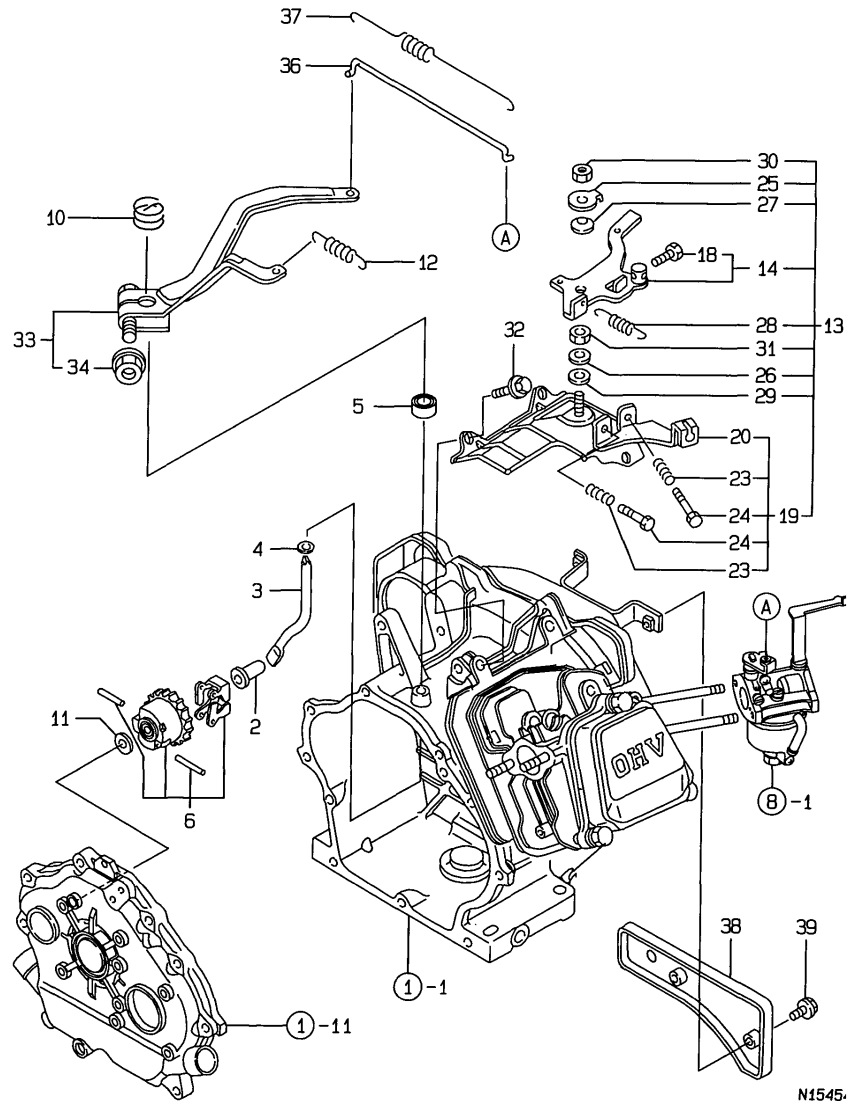


N154E

| REF. | LEV. | PARTS NO. | DESCRIPTION | QTY | | | | | | I | R |
|------|------|--------------|-----------------------|-----|-----|-----|-----|-----|-----|---|---|
| | | | | (A) | (B) | (C) | (D) | (E) | (F) | | |
| 1 | 1 | 160890-56040 | CARBURETOR ASSY | 1 | | | | | | | |
| 2 | 2 | 160992-56520 | VALVE, THROTTLE | 1 | | | | | | | |
| 3 | 2 | 160120-56670 | SCREW | 2 | | | | | | | |
| 4 | 2 | 160903-56670 | SCREW | 2 | | | | | | | |
| 5 | 2 | 160992-56530 | VALVE, CHOKE | 1 | | | | | | | |
| 6 | 2 | 160880-56740 | JET, PILOT | 1 | | | | | | | |
| 7 | 2 | 160692-56710 | SCREW | 1 | | | | | | | |
| 8 | 2 | 181230-56380 | SPRING | 2 | | | | | | | |
| 9 | 2 | 160610-56630 | PIN, FLOAT | 1 | | | | | | | |
| 10 | 2 | 160890-56620 | FLOAT ASSY | 1 | | | | | | | |
| 11 | 2 | 160992-56550 | SHAFT, THROTTLE | 1 | | | | | | | |
| 12 | 2 | 160310-56980 | SPRING, CHOKE | 1 | | | | | | | |
| 13 | 2 | 160310-56990 | BALL, STEEL | 1 | | | | | | | |
| 14 | 2 | 160998-56600 | LEVER A, CHOKE | 1 | | | | | | | |
| 15 | 2 | 160810-56580 | RING, CHOKE SHAFT | 1 | | | | | | | |
| 16 | 2 | 160810-56590 | RING, CHOKE LEVER | 1 | | | | | | | |
| 17 | 2 | 160210-56610 | WASHER | 1 | | | | | | | |
| 18 | 2 | 160890-56430 | BODY, FLOAT | 1 | | | | | | | |
| 19 | 2 | 160790-56550 | NOZZLE, MAIN | 1 | | | | | | | |
| 20 | 2 | 160790-56610 | BOLT | 1 | | | | | | | |
| 21 | 2 | 160910-56550 | WASHER | 1 | | | | | | | |
| 22 | 2 | 160792-56570 | JET, ENRICHMENT | 1 | | | | | | | |
| 24 | 2 | 160640-56850 | SEAL | 1 | | | | | | | |
| 25 | 2 | 160667-56750 | SCREW, ADJUSTING | 1 | | | | | | | |
| 26 | 2 | 160702-56720 | RING | 1 | | | | | | | |
| 27 | 2 | 160890-56610 | JET, PILOT | 1 | | | | | | | |
| 28 | 2 | 160610-56900 | SCREW | 1 | | | | | | | |
| 29 | 2 | 181230-56380 | SPRING | 1 | | | | | | | |
| 30 | 2 | 160790-56570 | NOZZLE | 1 | | | | | | | |
| 32 | 1 | 160910-56151 | GASKET, CARBURETOR | 2 | | | | | | | |
| 33 | 1 | 160890-56160 | INSULATOR, CARBURETOR | 1 | | | | | | | |

Remarks
 (REMARKS)"EFFECTIVE MACHINE NO." OF
 ENGINE IS INDICATED ON THE
 ENGINE LABEL WHICH IS SHOWN
 IN FIG.10.

9. GOVERNOR & CONTROL DEVICE



NPC-3910 9. GOVERNOR & CONTROL DEVICE

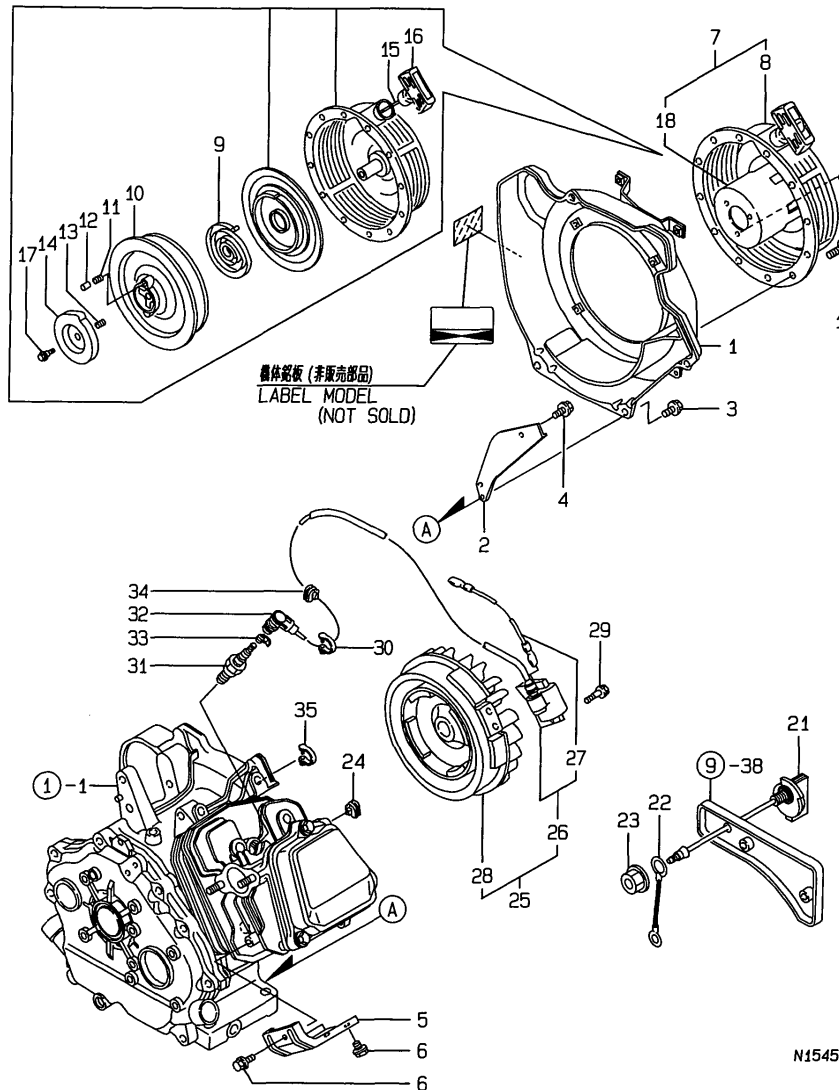
(A)=GA280SNS (D)=
 (B)= (E)=
 (C)= (F)=

| REF. | LEV. | PARTS NO. | DESCRIPTION | QTY | | | | | | I | R |
|------|------|--------------|-----------------------|-----|-----|-----|-----|-----|-----|---|---|
| | | | | (A) | (B) | (C) | (D) | (E) | (F) | | |
| 2 | 1 | 160690-61301 | SPINDLE, GOVERNOR | 1 | | | | | | | |
| 3 | 1 | 160690-61311 | SHAFT, GOV. LEVER | 1 | | | | | | | |
| 4 | 1 | 160690-61450 | WASHER | 1 | | | | | | | |
| 5 | 1 | 114770-61600 | SEAL, OIL | 1 | | | | | | | |
| 6 | 1 | 160690-61600 | GEAR ASSY, GOV. | 1 | | | | | | | |
| 10 | 1 | 160890-66050 | SPRING, RETURN | 1 | | | | | | | |
| 11 | 1 | 160120-76940 | WASHER | 1 | | | | | | | |
| 12 | 1 | 160890-66010 | SPRING, GOVERNOR | 1 | | | | | | | |
| 13 | 1 | 160890-66101 | CONTROL ASSY | 1 | | | | | | | |
| 14 | 2 | 160890-66081 | LEVER ASSY, CONTROL | 1 | | | | | | | |
| 18 | 3 | 26117-040088 | BOLT M 4X 8 PLATED | 1 | | | | | | | |
| 19 | 2 | 160890-66110 | BASE ASSY, CONTROL | 1 | | | | | | | |
| 20 | 3 | 160890-66142 | BASE, CONTROL | 1 | | | | | | | |
| 23 | 3 | 160520-66291 | SPRING | 2 | | | | | | | |
| 24 | 3 | 26117-040257 | BOLT M 4X 25 | 2 | | | | | | | |
| 25 | 2 | 160690-66160 | WASHER, STOP | 1 | | | | | | | |
| 26 | 2 | 160664-66170 | WASHER, NYLON | 1 | | | | | | | |
| 27 | 2 | 160664-66180 | SPRING, PLATE | 1 | | | | | | | |
| 28 | 2 | 160664-66220 | SPRING, RETURN | 1 | | | | | | | |
| 29 | 2 | 22137-060000 | WASHER 6, POLISHED | 1 | | | | | | | |
| 30 | 2 | 26347-060002 | U-NUT M 6 | 1 | | | | | | | |
| 31 | 2 | 26757-060002 | NUT M 6 | 1 | | | | | | | |
| 32 | 1 | 26476-060142 | BOLT M 6X 14, TAPPING | 3 | | | | | | | |
| 33 | 1 | 160890-66190 | LEVER ASSY, GOVERNOR | 1 | | | | | | | |
| 34 | 2 | 26366-060002 | NUT M 6 | 1 | | | | | | | |
| 36 | 1 | 160690-66200 | LINK, THROTTLE | 1 | | | | | | | |
| 37 | 1 | 160690-66210 | SPRING, TENSION | 1 | | | | | | | |
| 38 | 1 | 160890-66310 | PANEL | 1 | | | | | | | |
| 39 | 1 | 26106-060162 | BOLT M 6X 16 PLATED | 2 | | | | | | | |

Remarks
 (REMARKS)"EFFECTIVE MACHINE NO." OF
 ENGINE IS INDICATED ON THE
 ENGINE LABEL WHICH IS SHOWN
 IN FIG.10.

10. FLY.MAGNET & STARTING DEVICE

(A)=GA280SNS (D)=
 (B)= (E)=
 (C)= (F)=



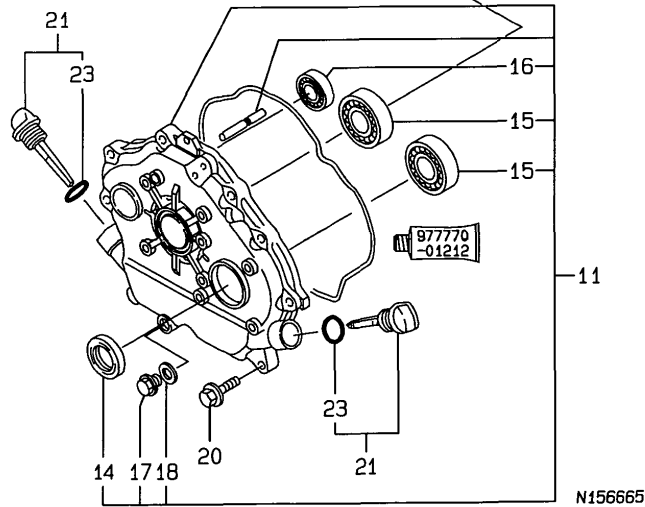
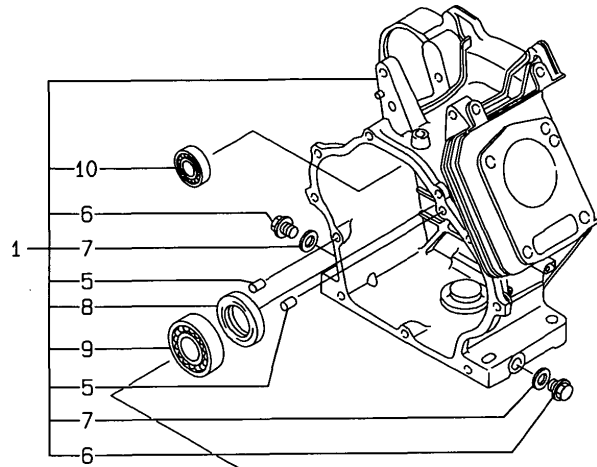
N1545E

Remarks
 (REMARKS)"EFFECTIVE MACHINE NO." OF
 ENGINE IS INDICATED ON THE
 ENGINE LABEL WHICH IS SHOWN
 IN FIG.10.

| REF. | LEV. | PARTS NO. | DESCRIPTION | QTY | | | | | | I | R |
|------|------|--------------|----------------------|-----|-----|-----|-----|-----|-----|---|---|
| | | | | (A) | (B) | (C) | (D) | (E) | (F) | | |
| 1 | 1 | 160891-45121 | CASE, FAN(WHITE)(14) | 1 | | | | | | | |
| 2 | 1 | 160890-45210 | COVER, REAR | 1 | | | | | | | |
| 3 | 1 | 26476-060142 | BOLT M 6X 14,TAPPING | 4 | | | | | | | |
| 4 | 1 | 26476-060142 | BOLT M 6X 14,TAPPING | 1 | | | | | | | |
| 5 | 1 | 160890-45200 | HEAD COVER, SIDE | 1 | | | | | | | |
| 6 | 1 | 26476-060142 | BOLT M 6X 14,TAPPING | 2 | | | | | | | |
| 7 | 1 | 160890-76050 | STARTER ASSY, RECOIL | 1 | | | | | | | |
| 8 | 2 | 160890-76250 | RECOIL ASSY | 1 | | | | | | | |
| 9 | 3 | 160890-76510 | SPRING, SPIRAL | 1 | | | | | | | |
| 10 | 3 | 160890-76520 | REEL | 1 | | | | | | | |
| 11 | 3 | 160890-76530 | SPRING | 2 | | | | | | | |
| 12 | 3 | 160890-76540 | DOG | 2 | | | | | | | |
| 13 | 3 | 160890-76550 | SPRING, BRAKE | 1 | | | | | | | |
| 14 | 3 | 160890-76570 | RETAINER | 1 | | | | | | | |
| 15 | 3 | 160890-76580 | ROPE | 1 | | | | | | | |
| 16 | 3 | 160260-76620 | KNOB, STARTER | 1 | | | | | | | |
| 17 | 3 | 160641-76570 | SCREW, CENTER | 1 | | | | | | | |
| 18 | 2 | 160890-76590 | PULLEY, STARTER | 1 | | | | | | | |
| 19 | 1 | 26106-060082 | BOLT M 6X 8 PLATED | 4 | | | | | | | |
| 20 | 1 | 26106-060122 | BOLT M 6X 12 PLATED | 3 | | | | | | | |
| 21 | 1 | 160611-77250 | SWITCH, STOP | 1 | | | | | | | |
| 22 | 1 | 160495-77260 | CODE | 1 | | | | | | | |
| 23 | 1 | 26366-080002 | NUT M 8 | 1 | | | | | | | |
| 24 | 1 | 160763-12600 | GROMMET, AIR CLEANER | 1 | | | | | | | |
| 25 | 1 | 160890-78010 | MAGNET ASSY | 1 | | | | | | | |
| 26 | 2 | 160791-78522 | IGNITER | 1 | | | | | | | |
| 27 | 3 | 160690-78230 | CORD, STOP | 1 | | | | | | | |
| 28 | 2 | 160890-78560 | ROTOR | 1 | | | | | | | |
| 29 | 1 | 26476-060252 | BOLT M 6X 25,TAPPING | 2 | | | | | | | |
| 30 | 1 | 29610-000650 | CLAMP, SPEED 065 | 1 | | | | | | | |
| 31 | 1 | 160690-78020 | PLUG, SPARK | 1 | | | | | | | |
| 32 | 1 | 160700-78040 | CAP, PLUG | 1 | | | | | | | |
| 33 | 1 | 160700-78050 | TERMINAL, PLUG | 1 | | | | | | | |
| 34 | 1 | 160700-78720 | GROMMET | 1 | | | | | | | |
| 35 | 1 | 29610-000950 | CLAMP, SPEED 095 | 1 | | | | | | | |

11. CYLINDER BLOCK

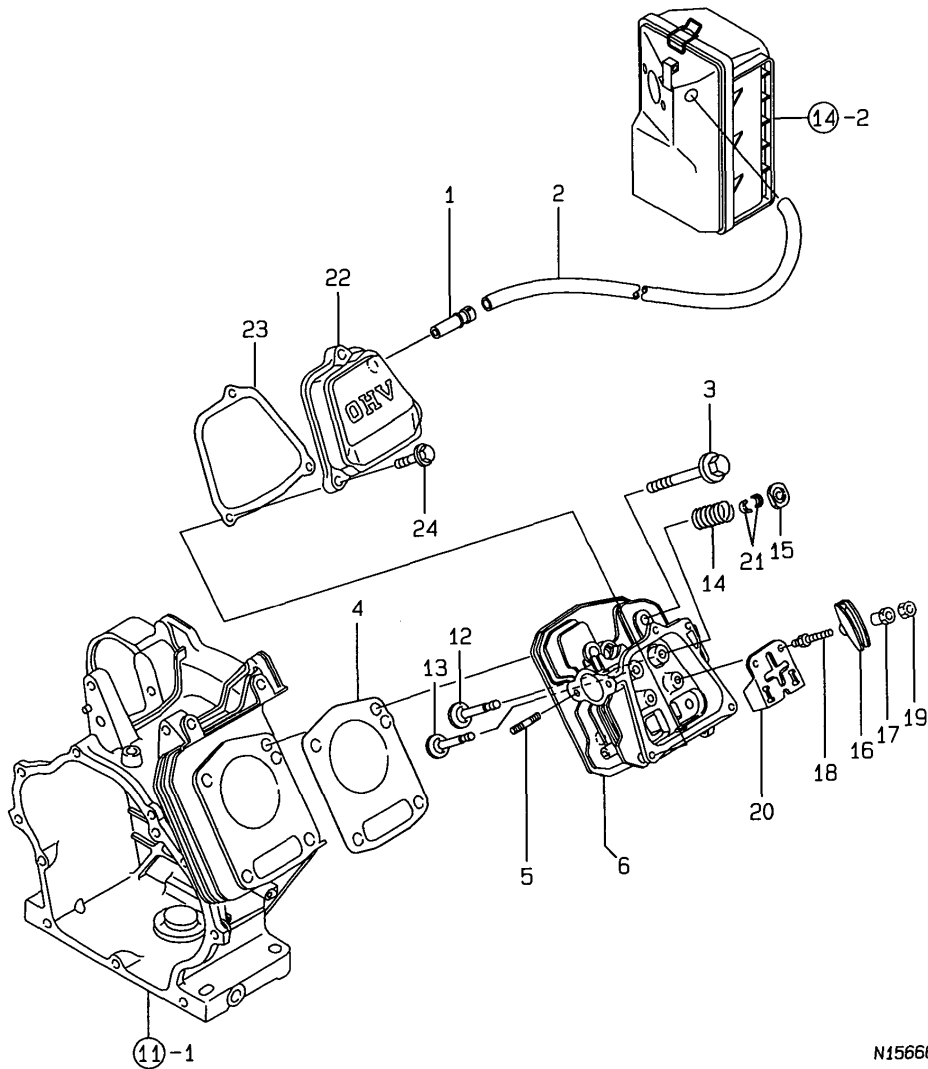
(A)=GA280E-SCK (D)=
 (B)= (E)=
 (C)= (F)=



| REF. | LEV. | PARTS NO. | DESCRIPTION | QTY | | | | | | I | R | |
|------|------|--------------|----------------------|-----|-----|-----|-----|-----|-----|---|---|--|
| | | | | (A) | (B) | (C) | (D) | (E) | (F) | | | |
| 1 | 1 | 760890-01560 | BLOCK ASSY, CYLINDER | 1 | | | | | | | | |
| 5 | 2 | 114270-01600 | PARALLEL PIN 8X12 | 2 | | | | | | | | |
| 6 | 2 | 160610-01690 | PLUG, DRAIN | 2 | | | | | | | | |
| 7 | 2 | 104200-59170 | GASKET 12 | 2 | | | | | | | | |
| 8 | 2 | 160110-02220 | SEAL, OIL | 1 | | | | | | | | |
| 9 | 2 | 129900-26250 | BALL BEARING | 1 | | | | | | | | |
| 10 | 2 | 160903-28020 | BALL BEARING | 1 | | | | | | | | |
| 11 | 1 | 760792-01501 | COVER, CRANKCASE | 1 | | | | | | | | |
| 14 | 2 | 160110-02220 | SEAL, OIL | 1 | | | | | | | | |
| 15 | 2 | 129900-26250 | BALL BEARING | 2 | | | | | | | | |
| 16 | 2 | 160903-28020 | BALL BEARING | 1 | | | | | | | | |
| 17 | 2 | 160610-01690 | PLUG, DRAIN | 1 | | | | | | | | |
| 18 | 2 | 104200-59170 | GASKET 12 | 1 | | | | | | | | |
| 20 | 1 | 26106-080302 | BOLT M 8X 30 PLATED | 9 | | | | | | | | |
| 21 | 1 | 160810-01740 | CAP, W/LUB.OIL GAUGE | 2 | | | | | | | | |
| 23 | 2 | 24311-000180 | O-RING 1A P-18.0 | 2 | | | | | | | | |

Remarks
 (REMARKS)"EFFECTIVE MACHINE NO." OF
 ENGINE IS INDICATED ON THE
 ENGINE LABEL WHICH IS SHOWN
 IN FIG.19.

12. CYLINDER HEAD & BONNET



N15666i

NPC-3910 12. CYLINDER HEAD & BONNET

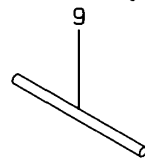
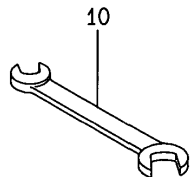
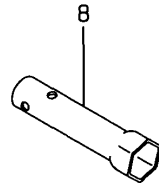
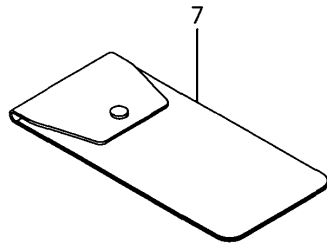
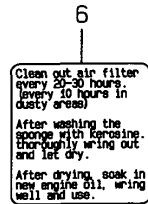
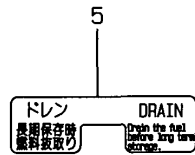
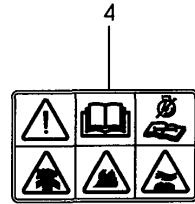
(A)=GA280E-SCK (D)=
 (B)= (E)=
 (C)= (F)=

| REF. | LEV. | PARTS NO. | DESCRIPTION | QTY | | | | | | I | R |
|------|------|--------------|---------------------|-----|-----|-----|-----|-----|-----|---|---|
| | | | | (A) | (B) | (C) | (D) | (E) | (F) | | |
| 1 | 1 | 160610-03050 | BREATHER ASSY | 1 | | | | | | | |
| 2 | 1 | 160820-03180 | PIPE, BREATHER | 1 | | | | | | | |
| 3 | 1 | 160890-01210 | BOLT 10X 70 | 4 | | | | | | | |
| 4 | 1 | 160890-01330 | GASKET, CYL. HEAD | 1 | | | | | | | |
| 5 | 1 | 160890-04330 | BOLT M 8X 18 | 2 | | | | | | | |
| 6 | 1 | 160890-11011 | HEAD ASSY, CYLINDER | 1 | | | | | | | |
| 12 | 1 | 160890-11101 | VALVE, SUCTION | 1 | | | | | | | |
| 13 | 1 | 160890-11111 | VALVE, EXHAUST | 1 | | | | | | | |
| 14 | 1 | 160890-11120 | SPRING, VALVE | 2 | | | | | | | |
| 15 | 1 | 160890-11190 | RETAINER, VALVE SP. | 2 | | | | | | | |
| 16 | 1 | 160890-11202 | ARM, ROCKER | 2 | | | | | | | |
| 17 | 1 | 160690-11221 | PIVOT,ROCKER ARM | 2 | | | | | | | |
| 18 | 1 | 160890-11270 | BOLT,ROCKER ARM | 2 | | | | | | | |
| 19 | 1 | 160690-11280 | NUT M6X 0.5 | 2 | | | | | | | |
| 20 | 1 | 160890-11290 | PLATE, GUIDE | 1 | | | | | | | |
| 21 | 1 | 120380-11350 | COTTER | 4 | | | | | | | |
| 22 | 1 | 160890-11300 | BONNET | 1 | | | | | | | |
| 23 | 1 | 160890-11311 | GASKET, BONNET | 1 | | | | | | | |
| 24 | 1 | 26106-060352 | BOLT M 6X 35 PLATED | 3 | | | | | | | |

Remarks
 (REMARKS)"EFFECTIVE MACHINE NO." OF
 ENGINE IS INDICATED ON THE
 ENGINE LABEL WHICH IS SHOWN
 IN FIG.19.

13. TOOL & LABEL

(A)=GA280E-SCK (D)=
 (B)= (E)=
 (C)= (F)=

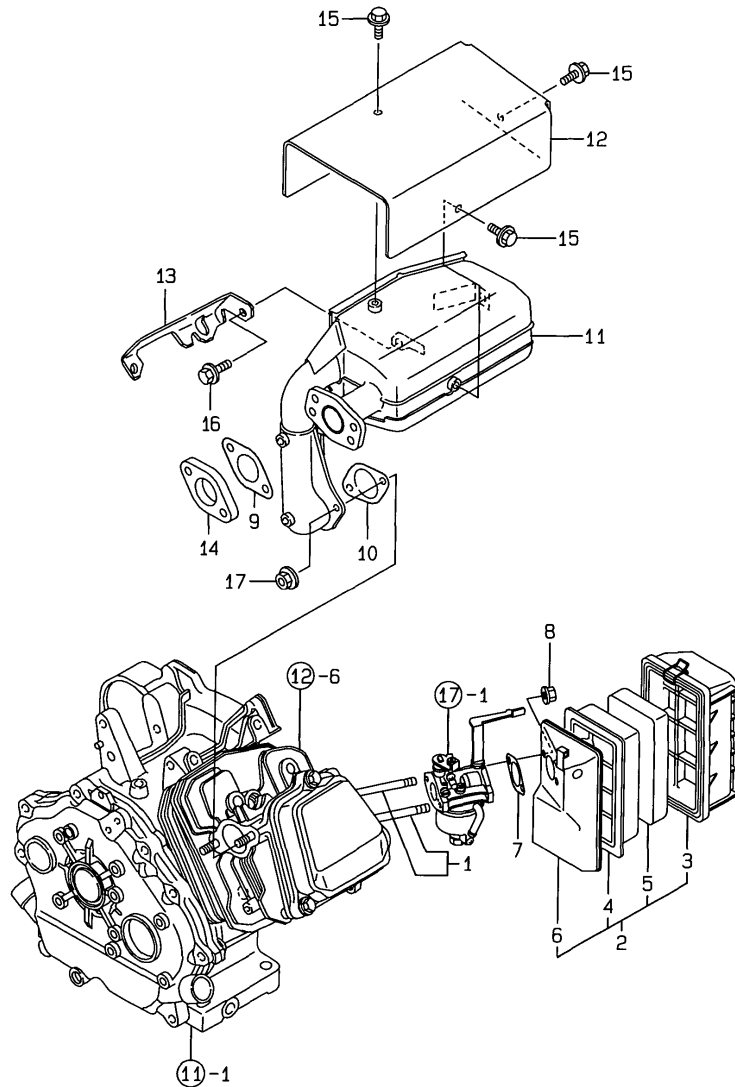


| REF. | LEV. | PARTS NO. | DESCRIPTION | QTY | | | | | | I | R |
|------|------|--------------|---------------------|-----|-----|-----|-----|-----|-----|---|---|
| | | | | (A) | (B) | (C) | (D) | (E) | (F) | | |
| 3 | 1 | 160798-07100 | LABEL, FINGER START | 1 | | | | | | | |
| 4 | 1 | 160991-07260 | LABEL | 1 | | | | | | | |
| 5 | 1 | 160690-07260 | LABEL, DRAIN | 1 | | | | | | | |
| 6 | 1 | 160664-07370 | LABEL, AIR CLEANER | 1 | | | | | | | |
| 7 | 1 | 160110-92610 | BAG, TOOL | 1 | | | | | | | |
| 8 | 1 | 160120-92700 | SPANNER, BOX | 1 | | | | | | | |
| 9 | 1 | 160110-92710 | BAR | 1 | | | | | | | |
| 10 | 1 | 28110-100120 | WRENCH 10X12 | 1 | | | | | | | |

Remarks
 (REMARKS)"EFFECTIVE MACHINE NO." OF
 ENGINE IS INDICATED ON THE
 ENGINE LABEL WHICH IS SHOWN
 IN FIG.19.

14. AIR CLEANER & MUFFLER

(A)=GA280E-SCK (D)=
 (B)= (E)=
 (C)= (F)=

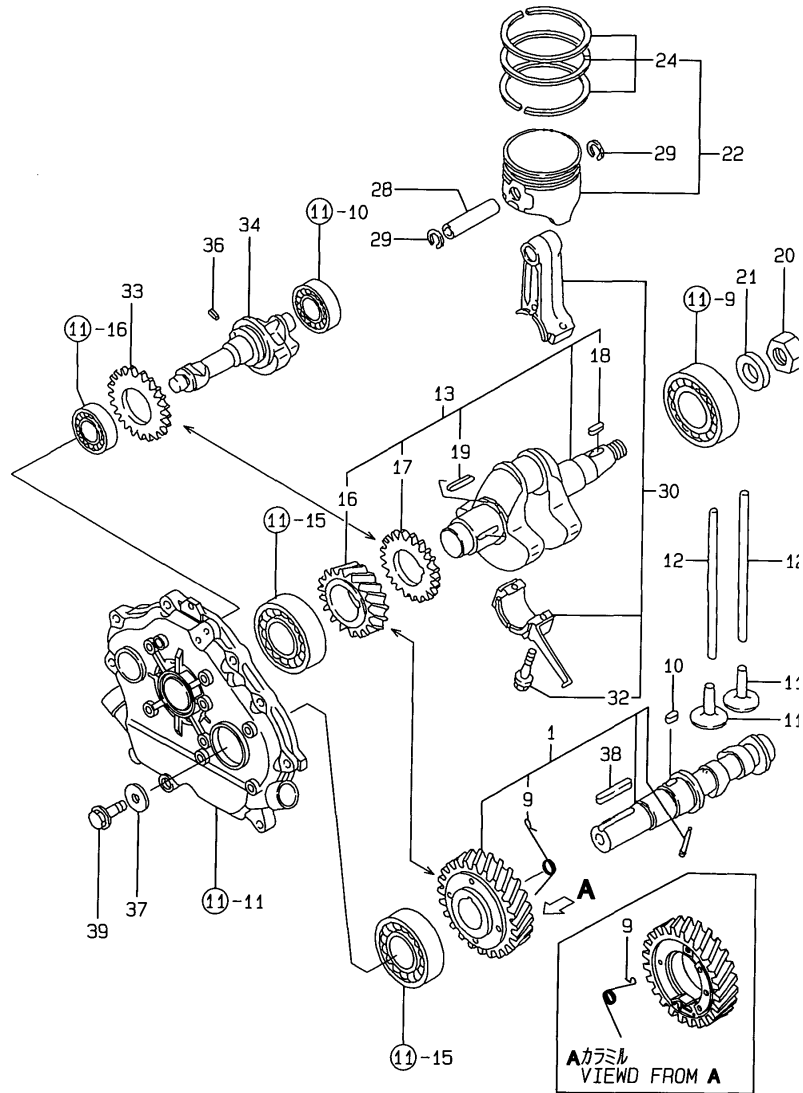


| REF. | LEV. | PARTS NO. | DESCRIPTION | QTY | | | | | | I | R |
|------|------|--------------|---------------------|-----|-----|-----|-----|-----|-----|---|---|
| | | | | (A) | (B) | (C) | (D) | (E) | (F) | | |
| 1 | 1 | 160890-04320 | BOLT M 8X 85 | | 2 | | | | | | |
| 2 | 1 | 160890-12500 | CLEANER ASSY, AIR | | 1 | | | | | | |
| 3 | 2 | 160790-12510 | COVER, AIR CLEANER | | 1 | | | | | | |
| 4 | 2 | 160790-12530 | HOLDER, ELEMENT | | 1 | | | | | | |
| 5 | 2 | 160790-12540 | ELEMENT | | 1 | | | | | | |
| 6 | 2 | 160890-12520 | CASE, AIR CLEANER | | 1 | | | | | | |
| 7 | 1 | 160910-56151 | GASKET, CARBURETOR | | 1 | | | | | | |
| 8 | 1 | 26366-080002 | NUT M 8 | | 2 | | | | | | |
| 9 | 1 | 114250-13201 | GASKET (NON-ASB.) | | 1 | | | | | | |
| 10 | 1 | 160890-13210 | GASKET, MUFFLER | | 1 | | | | | | |
| 11 | 1 | 160891-13501 | SILENCER | | 1 | | | | | | |
| 12 | 1 | 160890-13520 | COVER, MUFLLER | | 1 | | | | | | |
| 13 | 1 | 160890-13570 | BRACKET, MUFFLER | | 1 | | | | | | |
| 14 | 1 | 114252-13900 | FLANGE | | 1 | | | | | | |
| 15 | 1 | 26106-060082 | BOLT M 6X 8 PLATED | | 4 | | | | | | |
| 16 | 1 | 26106-080142 | BOLT M 8X 14 PLATED | | 1 | | | | | | |
| 17 | 1 | 26366-080002 | NUT M 8 | | 2 | | | | | | |

Remarks
 (REMARKS)"EFFECTIVE MACHINE NO." OF
 ENGINE IS INDICATED ON THE
 ENGINE LABEL WHICH IS SHOWN
 IN FIG.19.

15. CRANKSHAFT,PISTON & CAMSHAFT

(A)=GA280E-SCK (D)=
 (B)= (E)=
 (C)= (F)=



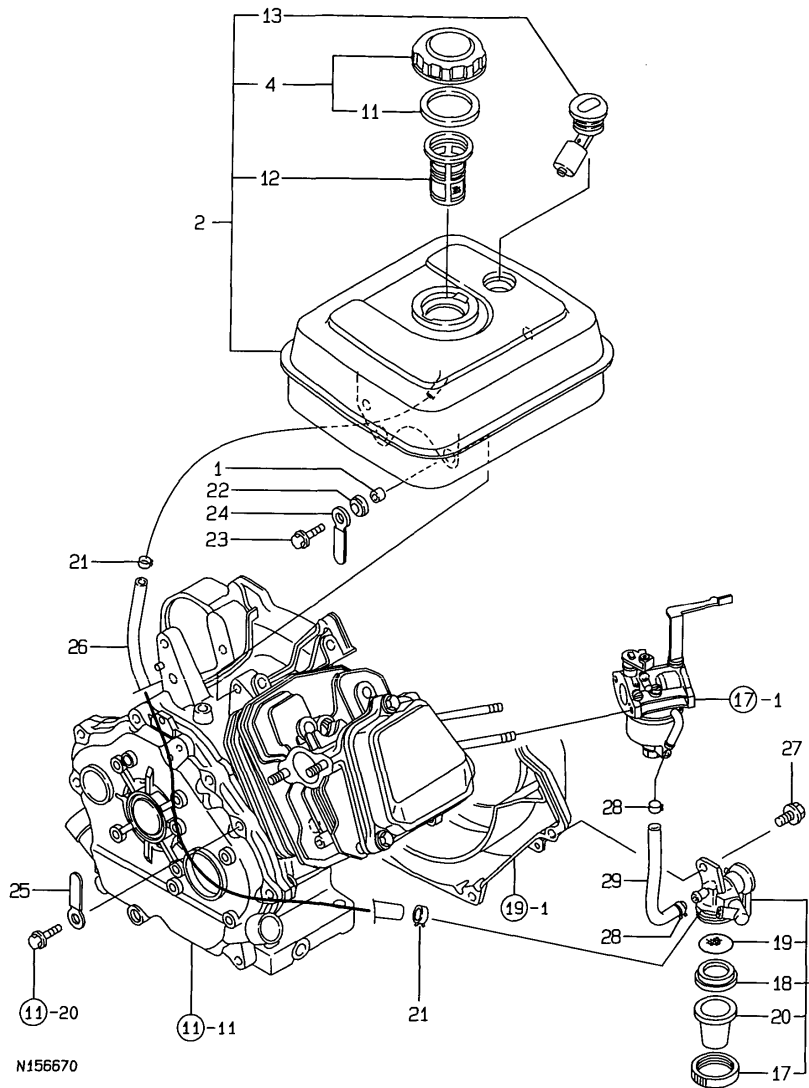
N156669

| REF. | LEV. | PARTS NO. | DESCRIPTION | QTY | | | | | | I | R |
|------|------|--------------|----------------------|-----|-----|-----|-----|-----|-----|---|---|
| | | | | (A) | (B) | (C) | (D) | (E) | (F) | | |
| 1 | 1 | 160890-14051 | CAMSHAFT ASSY | 1 | | | | | | | |
| 9 | 2 | 160890-14560 | SPRING, DECOMP. | 1 | | | | | | | |
| 10 | 1 | 22512-050160 | KEY 5X16,FEATHER | 1 | | | | | | | |
| 11 | 1 | 160890-14200 | TAPPET | 2 | | | | | | | |
| 12 | 1 | 160890-14400 | ROD, PUSH | 2 | | | | | | | |
| 13 | 1 | 760890-21700 | CRANKSHAFT ASSY | 1 | | | | | | | |
| 16 | 2 | 160890-21200 | GEAR, CRANKSHAFT | 1 | | | | | | | |
| 17 | 2 | 160890-21220 | GEAR, BALANCER | 1 | | | | | | | |
| 18 | 2 | 22512-040160 | KEY 4X 16 | 1 | | | | | | | |
| 19 | 2 | 22512-040300 | KEY 4X 30 | 1 | | | | | | | |
| 20 | 1 | 26737-160002 | NUT M16 | 1 | | | | | | | |
| 21 | 1 | 22137-160000 | WASHER 16,POLISHED | 1 | | | | | | | |
| 22 | 1 | 160890-22011 | PISTON W/RING | 1 | | | | | | | |
| 24 | 2 | 760890-22500 | RING SET, PISTON | 1 | | | | | | | |
| 28 | 1 | 160890-22300 | PIN, PISTON | 1 | | | | | | | |
| 29 | 1 | 22252-000190 | CIRCLIP 19 | 2 | | | | | | | |
| 30 | 1 | 760890-23700 | ROD ASSY, CONNECTING | 1 | | | | | | | |
| 32 | 2 | 160810-23201 | BOLT, ROD | 2 | | | | | | | |
| 33 | 1 | 160890-21220 | GEAR, BALANCER | 1 | | | | | | | |
| 34 | 1 | 160890-28010 | SHAFT, BALANCER | 1 | | | | | | | |
| 36 | 1 | 22351-040008 | SPRING PIN 4X 8 | 1 | | | | | | | |
| 37 | 1 | 160310-14550 | WASHER | 1 | | | | | | | |
| 38 | 1 | 22512-070380 | KEY 7X 38 | 1 | | | | | | | |
| 39 | 1 | 26106-080202 | BOLT M 8X 20 PLATED | 1 | | | | | | | |

Remarks
 (REMARKS)"EFFECTIVE MACHINE NO." OF
 ENGINE IS INDICATED ON THE
 ENGINE LABEL WHICH IS SHOWN
 IN FIG.19.

16. FUEL OIL TANK & FUEL OIL LINE

(A)=GA280E-SCK (D)=
 (B)= (E)=
 (C)= (F)=

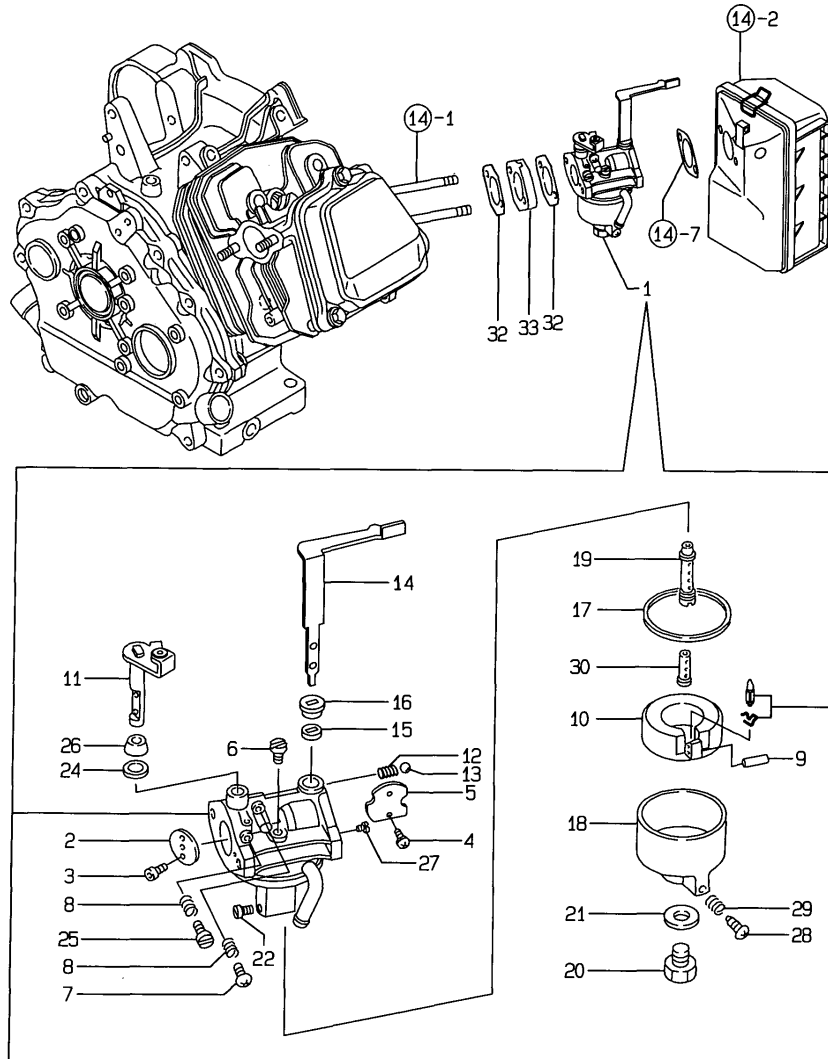


| REF. | LEV. | PARTS NO. | DESCRIPTION | QTY | | | | | | I | R |
|------|------|--------------|----------------------|-----|-----|-----|-----|-----|-----|---|---|
| | | | | (A) | (B) | (C) | (D) | (E) | (F) | | |
| 1 | 1 | 114250-45310 | COLLAR | | 4 | | | | | | |
| 2 | 1 | 760890-55730 | TANK, FUEL (RED)(50) | | 1 | | | | | | |
| 4 | 2 | 160710-55061 | CAP ASSY, FUEL TANK | | 1 | | | | | | |
| 11 | 3 | 160393-55050 | GASKET, TANK CAP | | 1 | | | | | | |
| 12 | 2 | 160610-55100 | STRAINER | | 1 | | | | | | |
| 13 | 2 | 160762-55150 | GAUGE, FUEL | | 1 | | | | | | |
| 14 | 1 | 160692-55330 | COCK ASSY, FUEL | | 1 | | | | | | |
| 17 | 2 | 160710-55360 | RING | | 1 | | | | | | |
| 18 | 2 | 160710-55370 | GASKET | | 1 | | | | | | |
| 19 | 2 | 160710-55382 | FILTER | | 1 | | | | | | |
| 20 | 2 | 160998-55390 | BOWL, STRAINER | | 1 | | | | | | |
| 21 | 1 | 106990-44660 | CLIP,HOSE | | 2 | | | | | | |
| 22 | 1 | 160690-55462 | DAMPER, FUEL TANK | | 4 | | | | | | |
| 23 | 1 | 160690-55140 | BOLT, FAN CASE | | 4 | | | | | | |
| 24 | 1 | 160710-78710 | CLAMP, CORD | | 1 | | | | | | |
| 25 | 1 | 160820-78710 | CLAMP, CORD | | 1 | | | | | | |
| 26 | 1 | 160920-59351 | HOSE, FUEL | | 1 | | | | | | |
| 27 | 1 | 26106-060102 | BOLT M 6X 10 PLATED | | 1 | | | | | | |
| 28 | 1 | 119520-03990 | HOSE CLAMP | | 2 | | | | | | |
| 29 | 1 | 160792-59361 | PIPE, FUEL | | 1 | | | | | | |

Remarks
 (REMARKS)"EFFECTIVE MACHINE NO." OF
 ENGINE IS INDICATED ON THE
 ENGINE LABEL WHICH IS SHOWN
 IN FIG.19.

17. CARBURETOR

(A)=GA280E-SCK (D)=
 (B)= (E)=
 (C)= (F)=

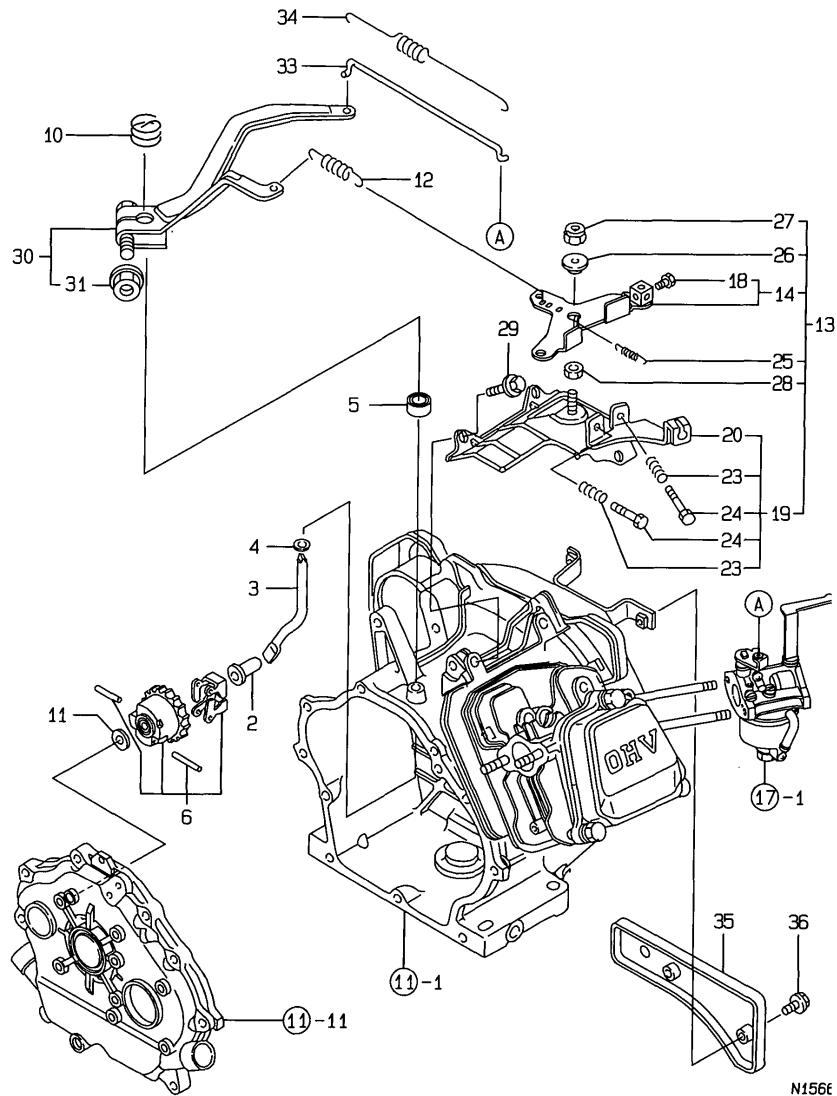


| REF. | LEV. | PARTS NO. | DESCRIPTION | QTY | | | | | | I | R |
|------|------|--------------|-----------------------|-----|-----|-----|-----|-----|-----|---|---|
| | | | | (A) | (B) | (C) | (D) | (E) | (F) | | |
| 1 | 1 | 160890-56040 | CARBURETOR ASSY | 1 | | | | | | | |
| 2 | 2 | 160992-56520 | VALVE, THROTTLE | 1 | | | | | | | |
| 3 | 2 | 160120-56670 | SCREW | 2 | | | | | | | |
| 4 | 2 | 160903-56670 | SCREW | 2 | | | | | | | |
| 5 | 2 | 160992-56530 | VALVE, CHOKE | 1 | | | | | | | |
| 6 | 2 | 160880-56740 | JET, PILOT | 1 | | | | | | | |
| 7 | 2 | 160692-56710 | SCREW | 1 | | | | | | | |
| 8 | 2 | 181230-56380 | SPRING | 2 | | | | | | | |
| 9 | 2 | 160610-56630 | PIN, FLOAT | 1 | | | | | | | |
| 10 | 2 | 160890-56620 | FLOAT ASSY | 1 | | | | | | | |
| 11 | 2 | 160992-56550 | SHAFT, THROTTLE | 1 | | | | | | | |
| 12 | 2 | 160310-56980 | SPRING, CHOKE | 1 | | | | | | | |
| 13 | 2 | 160310-56990 | BALL, STEEL | 1 | | | | | | | |
| 14 | 2 | 160998-56600 | LEVER A, CHOKE | 1 | | | | | | | |
| 15 | 2 | 160810-56580 | RING, CHOKE SHAFT | 1 | | | | | | | |
| 16 | 2 | 160810-56590 | RING, CHOKE LEVER | 1 | | | | | | | |
| 17 | 2 | 160210-56610 | WASHER | 1 | | | | | | | |
| 18 | 2 | 160890-56430 | BODY, FLOAT | 1 | | | | | | | |
| 19 | 2 | 160790-56550 | NOZZLE, MAIN | 1 | | | | | | | |
| 20 | 2 | 160790-56610 | BOLT | 1 | | | | | | | |
| 21 | 2 | 160910-56550 | WASHER | 1 | | | | | | | |
| 22 | 2 | 160792-56570 | JET, ENRICHMENT | 1 | | | | | | | |
| 24 | 2 | 160640-56850 | SEAL | 1 | | | | | | | |
| 25 | 2 | 160667-56750 | SCREW, ADJUSTING | 1 | | | | | | | |
| 26 | 2 | 160702-56720 | RING | 1 | | | | | | | |
| 27 | 2 | 160890-56610 | JET, PILOT | 1 | | | | | | | |
| 28 | 2 | 160610-56900 | SCREW | 1 | | | | | | | |
| 29 | 2 | 181230-56380 | SPRING | 1 | | | | | | | |
| 30 | 2 | 160790-56570 | NOZZLE | 1 | | | | | | | |
| 32 | 1 | 160910-56151 | GASKET, CARBURETOR | 2 | | | | | | | |
| 33 | 1 | 160890-56160 | INSULATOR, CARBURETOR | 1 | | | | | | | |

N1566

Remarks
 (REMARKS)"EFFECTIVE MACHINE NO." OF
 ENGINE IS INDICATED ON THE
 ENGINE LABEL WHICH IS SHOWN
 IN FIG.19.

18. GOVERNOR & CONTROL DEVICE



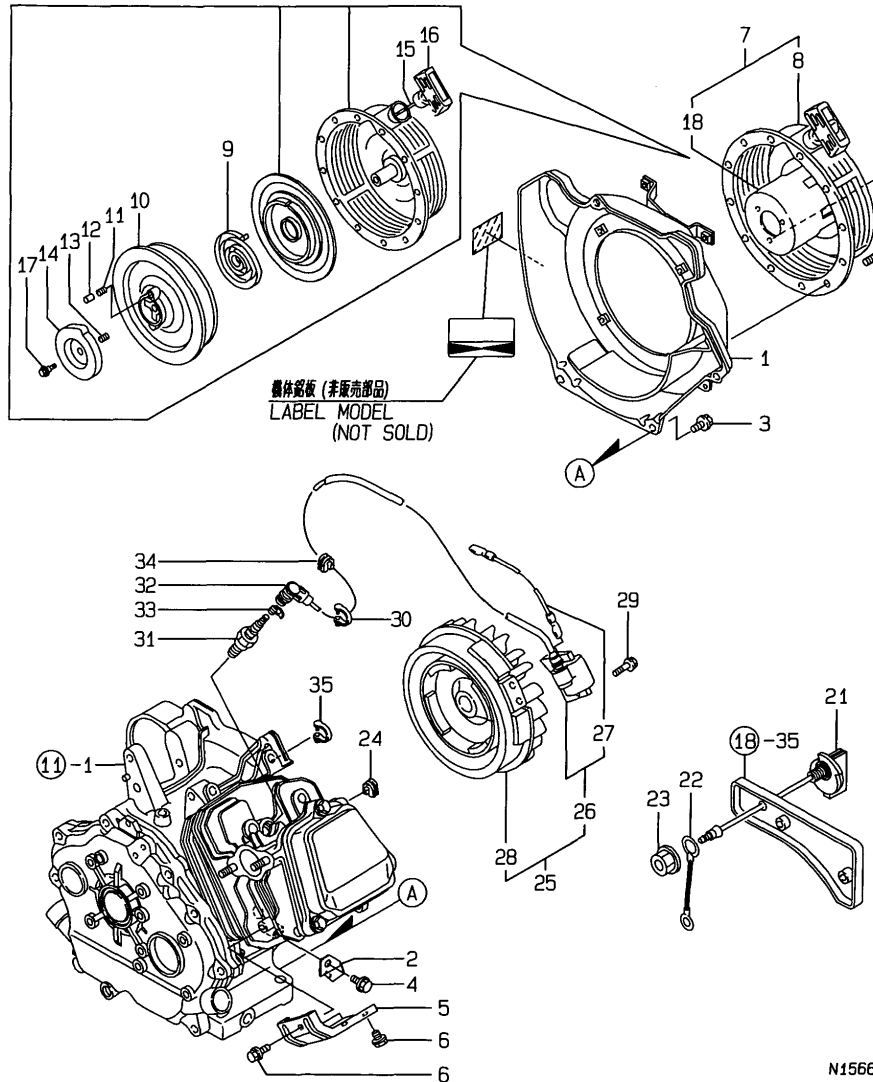
(A)=GA280E-SCK (D)=
 (B)= (E)=
 (C)= (F)=

| REF. | LEV. | PARTS NO. | DESCRIPTION | QTY | | | | | | I | R |
|------|------|--------------|----------------------|-----|-----|-----|-----|-----|-----|---|---|
| | | | | (A) | (B) | (C) | (D) | (E) | (F) | | |
| 2 | 1 | 160690-61301 | SPINDLE, GOVERNOR | 1 | | | | | | | |
| 3 | 1 | 160690-61311 | SHAFT, GOV. LEVER | 1 | | | | | | | |
| 4 | 1 | 160690-61450 | WASHER | 1 | | | | | | | |
| 5 | 1 | 114770-61600 | SEAL, OIL | 1 | | | | | | | |
| 6 | 1 | 160690-61600 | GEAR ASSY, GOV. | 1 | | | | | | | |
| 10 | 1 | 160890-66050 | SPRING, RETURN | 1 | | | | | | | |
| 11 | 1 | 160120-76940 | WASHER | 1 | | | | | | | |
| 12 | 1 | 160890-66010 | SPRING, GOVERNOR | 1 | | | | | | | |
| 13 | 1 | 160991-66111 | CONTROL ASSY | 1 | | | | | | | |
| 14 | 2 | 160692-66051 | LEVER ASSY, CONTROL | 1 | | | | | | | |
| 18 | 3 | 26117-040088 | BOLT M 4X 8 PLATED | 1 | | | | | | | |
| 19 | 2 | 160890-66110 | BASE ASSY, CONTROL | 1 | | | | | | | |
| 20 | 3 | 160890-66142 | BASE, CONTROL | 1 | | | | | | | |
| 23 | 3 | 160520-66291 | SPRING | 2 | | | | | | | |
| 24 | 3 | 26117-040257 | BOLT M 4X 25 | 2 | | | | | | | |
| 25 | 2 | 160664-66220 | SPRING, RETURN | 1 | | | | | | | |
| 26 | 2 | 160670-66350 | COLLAR | 1 | | | | | | | |
| 27 | 2 | 26347-060002 | U-NUT M 6 | 1 | | | | | | | |
| 28 | 2 | 26757-060002 | NUT M 6 | 1 | | | | | | | |
| 29 | 1 | 26476-060142 | BOLT M 6X 14,TAPPING | 3 | | | | | | | |
| 30 | 1 | 160890-66190 | LEVER ASSY, GOVERNOR | 1 | | | | | | | |
| 31 | 2 | 26366-060002 | NUT M 6 | 1 | | | | | | | |
| 33 | 1 | 160690-66200 | LINK, THROTTLE | 1 | | | | | | | |
| 34 | 1 | 160690-66210 | SPRING, TENSION | 1 | | | | | | | |
| 35 | 1 | 160890-66310 | PANEL | 1 | | | | | | | |
| 36 | 1 | 26106-060162 | BOLT M 6X 16 PLATED | 2 | | | | | | | |

Remarks
 (REMARKS)"EFFECTIVE MACHINE NO." OF
 ENGINE IS INDICATED ON THE
 ENGINE LABEL WHICH IS SHOWN
 IN FIG.19.

19. FYL.MAGNET & STARTING DEVICE

(A)=GA280E-SCK (D)=
 (B)= (E)=
 (C)= (F)=

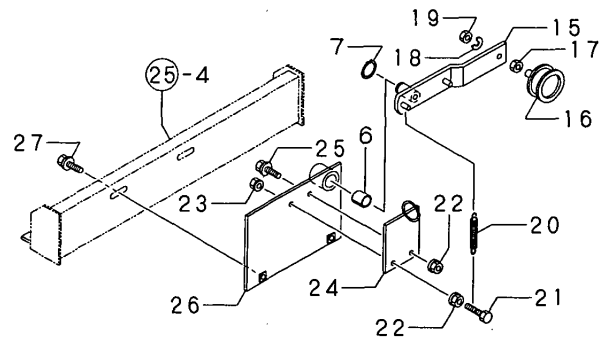
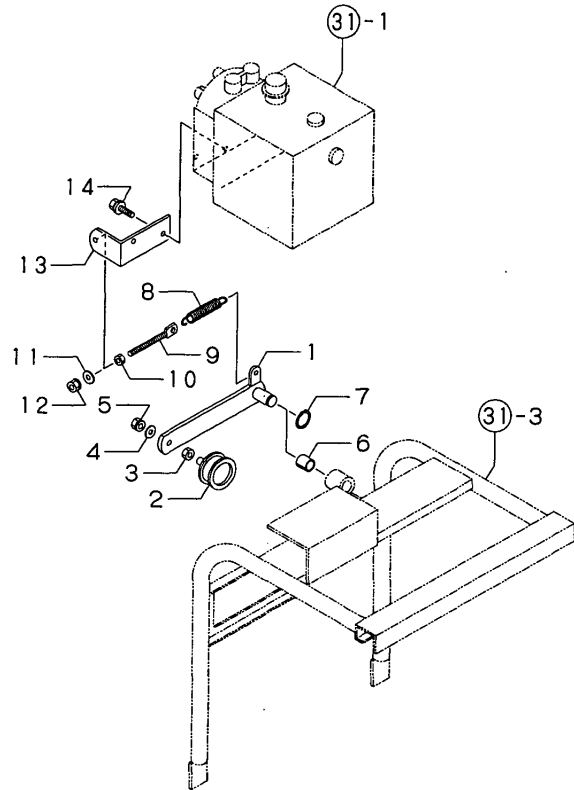


| REF. | LEV. | PARTS NO. | DESCRIPTION | QTY | | | | | | I | R |
|------|------|--------------|----------------------|-----|-----|-----|-----|-----|-----|---|---|
| | | | | (A) | (B) | (C) | (D) | (E) | (F) | | |
| 1 | 1 | 160891-45121 | CASE, FAN(WHITE)(14) | 1 | | | | | | | |
| 2 | 1 | 160890-45240 | COVER, REAR | 1 | | | | | | | |
| 3 | 1 | 26476-060142 | BOLT M 6X 14,TAPPING | 4 | | | | | | | |
| 4 | 1 | 26476-060142 | BOLT M 6X 14,TAPPING | 1 | | | | | | | |
| 5 | 1 | 160890-45200 | HEAD COVER, SIDE | 1 | | | | | | | |
| 6 | 1 | 26476-060142 | BOLT M 6X 14,TAPPING | 2 | | | | | | | |
| 7 | 1 | 160890-76050 | STARTER ASSY, RECOIL | 1 | | | | | | | |
| 8 | 2 | 160890-76250 | RECOIL ASSY | 1 | | | | | | | |
| 9 | 3 | 160890-76510 | SPRING, SPIRAL | 1 | | | | | | | |
| 10 | 3 | 160890-76520 | REEL | 1 | | | | | | | |
| 11 | 3 | 160890-76530 | SPRING | 2 | | | | | | | |
| 12 | 3 | 160890-76540 | DOG | 2 | | | | | | | |
| 13 | 3 | 160890-76550 | SPRING, BRAKE | 1 | | | | | | | |
| 14 | 3 | 160890-76570 | RETAINER | 1 | | | | | | | |
| 15 | 3 | 160890-76580 | ROPE | 1 | | | | | | | |
| 16 | 3 | 160260-76620 | KNOB, STARTER | 1 | | | | | | | |
| 17 | 3 | 160641-76570 | SCREW, CENTER | 1 | | | | | | | |
| 18 | 2 | 160890-76590 | PULLEY, STARTER | 1 | | | | | | | |
| 19 | 1 | 26106-060082 | BOLT M 6X 8 PLATED | 4 | | | | | | | |
| 20 | 1 | 26106-060122 | BOLT M 6X 12 PLATED | 3 | | | | | | | |
| 21 | 1 | 160611-77250 | SWITCH, STOP | 1 | | | | | | | |
| 22 | 1 | 160495-77260 | CODE | 1 | | | | | | | |
| 23 | 1 | 26366-080002 | NUT M 8 | 1 | | | | | | | |
| 24 | 1 | 160763-12600 | GROMMET, AIR CLEANER | 1 | | | | | | | |
| 25 | 1 | 160890-78010 | MAGNET ASSY | 1 | | | | | | | |
| 26 | 2 | 160791-78522 | IGNITER | 1 | | | | | | | |
| 27 | 3 | 160690-78230 | CORD, STOP | 1 | | | | | | | |
| 28 | 2 | 160890-78560 | ROTOR | 1 | | | | | | | |
| 29 | 1 | 26476-060252 | BOLT M 6X 25,TAPPING | 2 | | | | | | | |
| 30 | 1 | 29610-000650 | CLAMP, SPEED 065 | 1 | | | | | | | |
| 31 | 1 | 160793-78010 | PLUG, SPARK | 1 | | | | | | | |
| 32 | 1 | 160700-78040 | CAP, PLUG | 1 | | | | | | | |
| 33 | 1 | 160700-78050 | TERMINAL, PLUG | 1 | | | | | | | |
| 34 | 1 | 160700-78720 | GROMMET | 1 | | | | | | | |
| 35 | 1 | 29610-000950 | CLAMP, SPEED 095 | 1 | | | | | | | |

Remarks
 (REMARKS)"EFFECTIVE MACHINE NO." OF
 ENGINE IS INDICATED ON THE
 ENGINE LABEL WHICH IS SHOWN
 IN FIG.19.

20. TENSION ARM

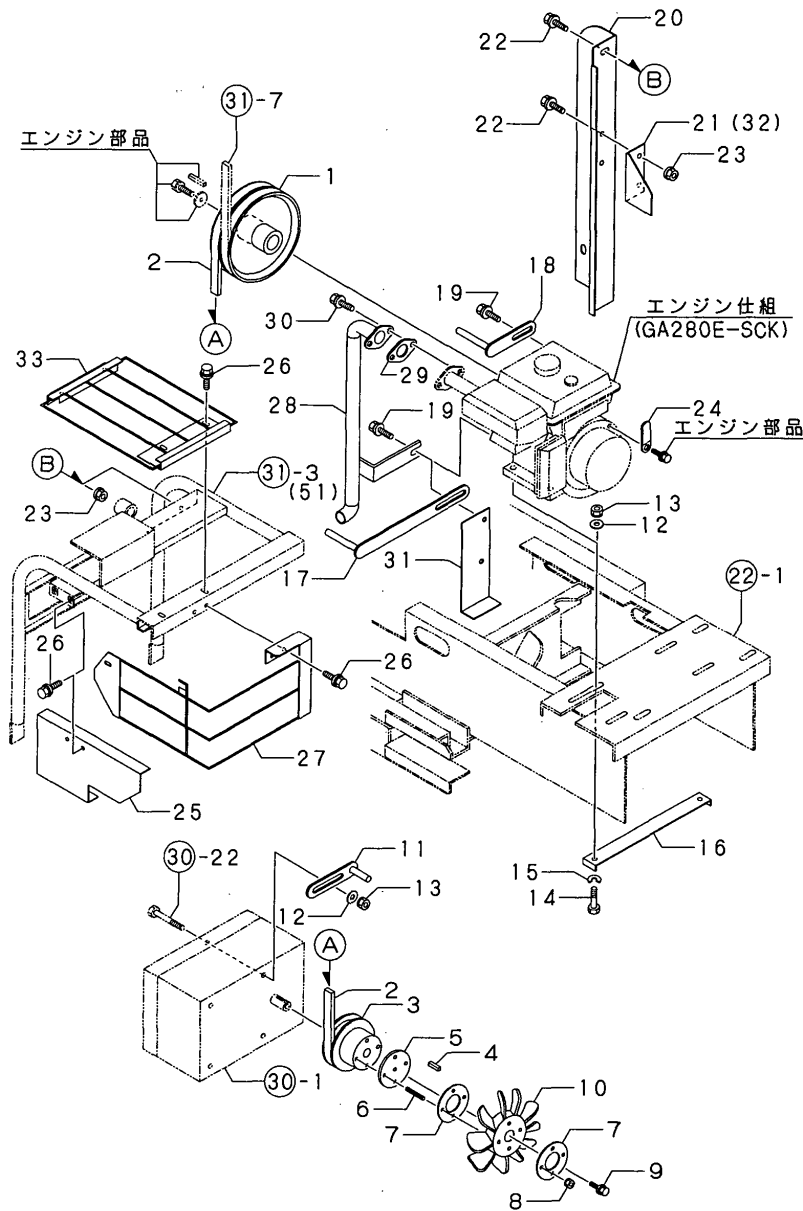
(A)=MCG1200FLD (D)=
 (B)=MCG1200F-PQ (E)=
 (C)= (F)=



| REF. | LEV. | PARTS NO. | DESCRIPTION | QTY | | | | | | I | R |
|-------------|------|--------------|----------------------|-----|-----|-----|-----|-----|-----|---|---|
| | | | | (A) | (B) | (C) | (D) | (E) | (F) | | |
| 1 | 1 | 1N1995-41370 | TENSION ARM | 1 | | | | | | | |
| 2 | 1 | 1N1185-22060 | ROLLER S,TENSION | 1 | | | | | | | |
| 2-1 | 1 | 1N1291-22030 | ROLLER SS,TENSION | 1 | | | | | | | N |
| (A=F010043) | | | | | | | | | | | |
| 3 | 1 | 26717-100002 | NUT M10 | 1 | | | | | | | |
| 3-1 | 1 | 26717-120002 | NUT M12 | 1 | | | | | | | S |
| (A=F010043) | | | | | | | | | | | |
| 4 | 1 | 22217-100000 | SPRING WASHER 10 | 1 | | | | | | | |
| 4-1 | 1 | 22217-120000 | SPRING WASHER | 1 | | | | | | | S |
| (A=F010043) | | | | | | | | | | | |
| 5 | 1 | 26051-100002 | NUT M10 | 1 | | | | | | | |
| 5-1 | 1 | 26757-120002 | LOCK NUT M12 PLATED | 1 | | | | | | | S |
| (A=F010043) | | | | | | | | | | | |
| 6 | 1 | 1N3513-61100 | BUSH | 2 | 1 | | | | | | |
| 7 | 1 | 22242-000180 | CIRCLIP 18 | 2 | 1 | | | | | | |
| 8 | 1 | 1N1070-53000 | SPRING,SD.CLTCH.LVR. | 1 | | | | | | | |
| 9 | 1 | 1N1360-22090 | SCREW 8X94,ADJUST | 1 | | | | | | | |
| 10 | 1 | 26757-080002 | LOCK NUT M 8 PLATED | 1 | | | | | | | |
| 11 | 1 | 22137-080000 | WASHER 8, POLISHED | 1 | | | | | | | |
| 12 | 1 | 26051-080002 | NUT M 8 | 1 | | | | | | | |
| 13 | 1 | 1N1995-41390 | HOOK, SPRING | 1 | | | | | | | |
| 14 | 1 | 26018-080164 | BOLT M 8X 16 | 2 | | | | | | | |
| 15 | 1 | 1N1995-41320 | ARM,MAIN CLUTCH | 1 | 1 | | | | | | |
| 16 | 1 | 1N1291-22030 | ROLLER SS,TENSION | 1 | 1 | | | | | | |
| 17 | 1 | 26717-120002 | NUT M12 | 1 | 1 | | | | | | |
| 18 | 1 | 22217-120000 | SPRING WASHER | 1 | 1 | | | | | | |
| 19 | 1 | 26757-120002 | LOCK NUT M12 PLATED | 1 | 1 | | | | | | |
| 20 | 1 | 1N1190-45000 | SPRING 11X72.5,TENS. | 1 | 1 | | | | | | |
| 21 | 1 | 26117-060354 | BOLT M 6X 35 PLATED | 1 | 1 | | | | | | |
| 22 | 1 | 26367-060002 | NUT M 6 | 2 | 2 | | | | | | |
| 23 | 1 | 26051-060002 | NUT M 6 | 1 | 1 | | | | | | |
| 24 | 1 | 1N1995-41420 | SHOE, HOSE | 1 | | | | | | | |
| 25 | 1 | 26018-060164 | BOLT M 6X 16 | 1 | 1 | | | | | | |
| 26 | 1 | 1N1995-41340 | BRACKET,CLUTCH | 1 | 1 | | | | | | |
| 27 | 1 | 26018-080204 | BOLT M 8X 20 | 2 | 2 | | | | | | |

21. PULLEY

(A)=MCG1200FLD (D)=
 (B)=MCG1200F-PQ (E)=
 (C)= (F)=



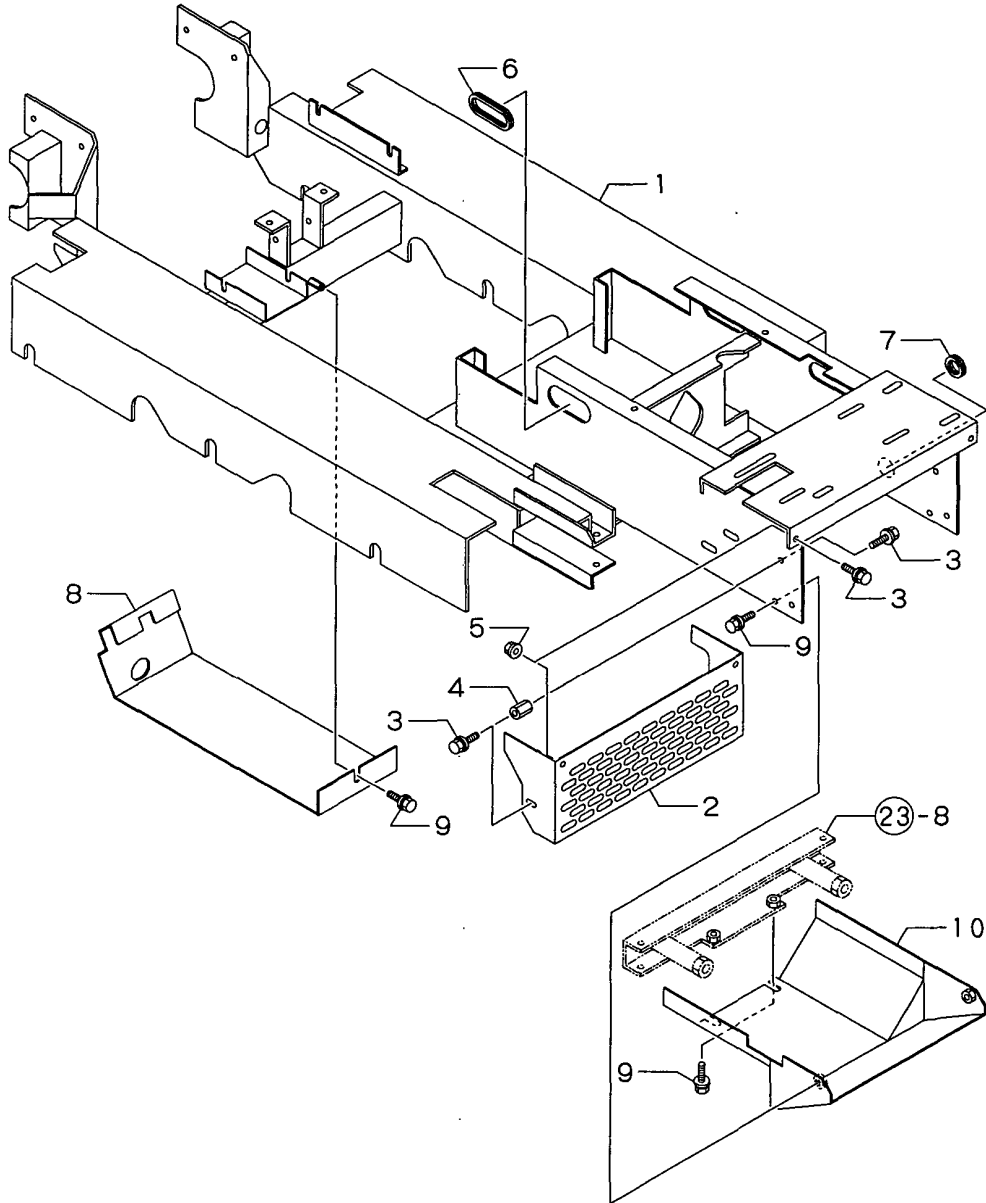
N155367

| REF. | LEV. | PARTS NO. | DESCRIPTION | QTY | | | | | | I | R |
|-------------------------|------|--------------|---------------------|-----|-----|-----|-----|-----|-----|---|---|
| | | | | (A) | (B) | (C) | (D) | (E) | (F) | | |
| 1 | 1 | 1N1995-21000 | PULLEY,ENGINE | 1 | 1 | | | | | | |
| 2 | 1 | 25123-003201 | V-BELT | 1 | 1 | | | | | | |
| 3 | 1 | 1N3508-21000 | PULLEY | 1 | 1 | | | | | | |
| 4 | 1 | 22550-050250 | KEY 5X25 | 1 | 1 | | | | | | |
| 5 | 1 | 1N3516-21020 | RETAINER,PULLEY | 1 | 1 | | | | | | |
| 6 | 1 | 1N3516-41720 | BOLT M6X60 | 4 | 4 | | | | | | |
| 7 | 1 | 1N3507-21030 | STOPPER(B) | 2 | 2 | | | | | | |
| 8 | 1 | 26051-060002 | NUT M 6 | 4 | 4 | | | | | | |
| 9 | 1 | 26018-060164 | BOLT M 6X 16 | 1 | 1 | | | | | | |
| 10 | 1 | 1N3508-24010 | FAN | 1 | 1 | | | | | | |
| 11 | 1 | 1N1291-22020 | GUARD 40,BELT | 2 | 2 | | | | | | |
| 12 | 1 | 22137-080000 | WASHER 8, POLISHED | 6 | 6 | | | | | | |
| 13 | 1 | 26051-080002 | NUT M 8 | 6 | 6 | | | | | | |
| 14 | 1 | 26116-080452 | BOLT M 8X 45 PLATED | 4 | 4 | | | | | | |
| 14-1 | 1 | 1N1995-11040 | BOLT 10X50 | 4 | 4 | | | | | | N |
| (A=F010043) (B=F010043) | | | | | | | | | | | |
| 15 | 1 | 22217-080000 | SPRING WASHER 8 | 4 | 4 | | | | | | |
| 16 | 1 | 1N1995-11030 | HINGE | 2 | 2 | | | | | | |
| 17 | 1 | 1N1530-16040 | GUIDE 70X165,BELT | 1 | 1 | | | | | | |
| 18 | 1 | 1N1530-22060 | BELT GUIDE | 1 | 1 | | | | | | |
| 19 | 1 | 26018-080164 | BOLT M 8X 16 | 2 | 2 | | | | | | |
| 20 | 1 | 1N1995-58250 | COVER B,BELT | 1 | 1 | | | | | | |
| 21 | 1 | 1N1995-58240 | COVER A,BELT | 1 | | | | | | | |
| 22 | 1 | 26018-060164 | BOLT M 6X 16 | 4 | 4 | | | | | | |
| 23 | 1 | 26367-060002 | NUT M 6 | 4 | 4 | | | | | | |
| 24 | 1 | 1E6020-83890 | CLIP | 1 | 1 | | | | | | |
| 25 | 1 | 1N1995-58170 | COVER, SILENCER | 1 | 1 | | | | | | |
| 26 | 1 | 1N1291-58080 | BOLT 6X16 W/P&SW. | 4 | 8 | | | | | | |
| 27 | 1 | 1N1995-58270 | MUFFLER GURD | 1 | 1 | | | | | | |
| 28 | 1 | 1N1995-11000 | PIPE, EXHAUST | 1 | 1 | | | | | | |
| 29 | 1 | 114252-13900 | FLANGE | 1 | 1 | | | | | | |
| 30 | 1 | 26018-080204 | BOLT M 8X 20 | 2 | 2 | | | | | | |
| 31 | 1 | 1N1995-58260 | COVER C,BELT | 1 | 1 | | | | | | |
| 32 | 1 | 1N1995-58340 | COVER A,BELT | | 1 | | | | | | |
| 33 | 1 | 1N1995-58360 | MUFFLER GURD | | 1 | | | | | | |

22. BODY FRAME

NPC-3910 22. BODY FRAME

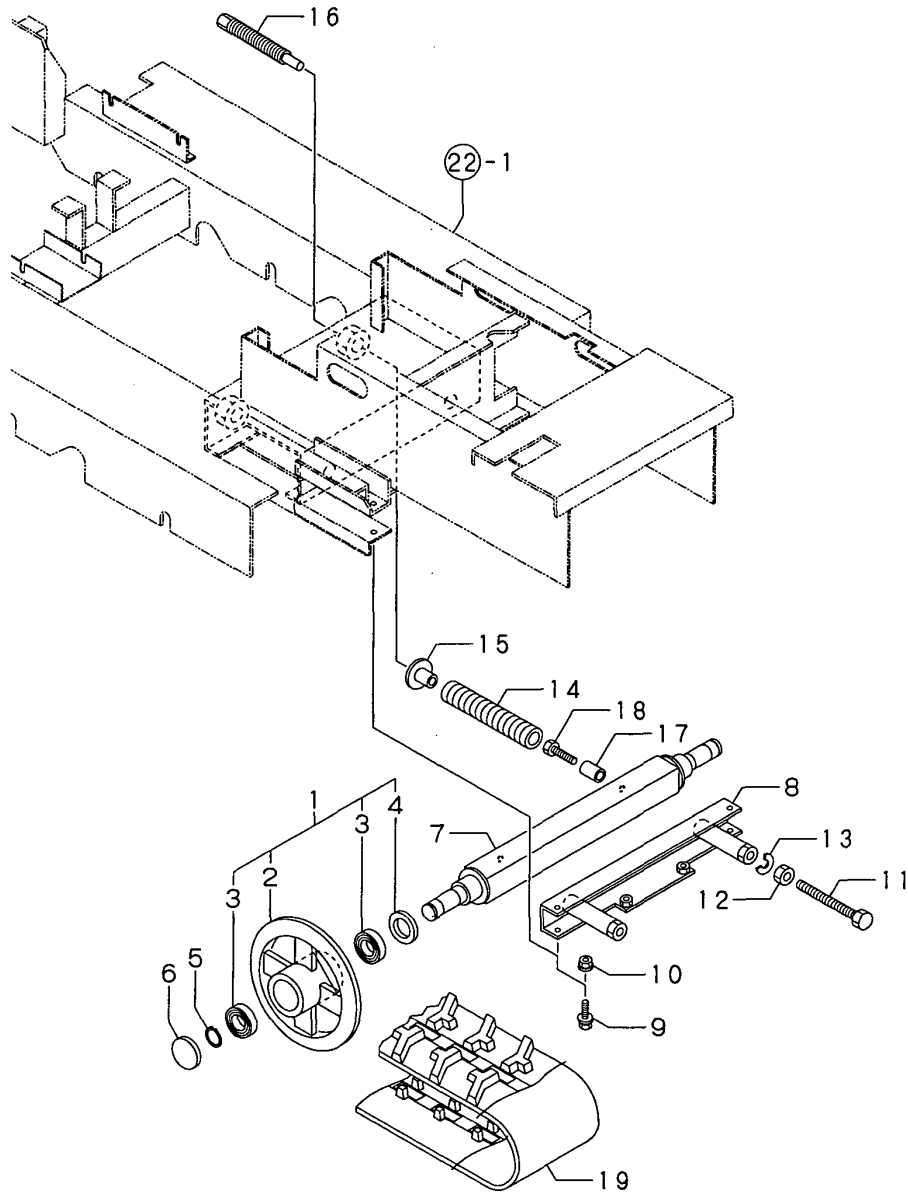
(A)=MCG1200FLD (D)=
 (B)=MCG1200F-PQ (E)=
 (C)= (F)=



| REF. | LEV. | PARTS NO. | DESCRIPTION | QTY | | | | | | I | R |
|------|------|--------------|-------------------|-----|-----|-----|-----|-----|-----|---|---|
| | | | | (A) | (B) | (C) | (D) | (E) | (F) | | |
| 1 | 1 | 1N1995-31000 | FRAME,BODY | 1 | 1 | | | | | | |
| 2 | 1 | 1N1995-58060 | HOUSING,BLOWER | 1 | 1 | | | | | | |
| 3 | 1 | 1N1291-58080 | BOLT 6X16 W/P&SW. | 6 | 6 | | | | | | |
| 4 | 1 | 1N1995-58320 | NUT M6X25 | 2 | 2 | | | | | | |
| 5 | 1 | 26367-060002 | NUT M 6 | 2 | 2 | | | | | | |
| 6 | 1 | 1N1185-53000 | GROMMET 70 | 2 | 2 | | | | | | |
| 7 | 1 | 1N1185-53010 | GROMMET 35 | 1 | 1 | | | | | | |
| 8 | 1 | 1N1995-58010 | GURD,UNDER F | 1 | 1 | | | | | | |
| 9 | 1 | 26018-080204 | BOLT M 8X 20 | 5 | 5 | | | | | | |
| 10 | 1 | 1N1995-58020 | GURD,UNDER R | 1 | 1 | | | | | | |

23. IDLER

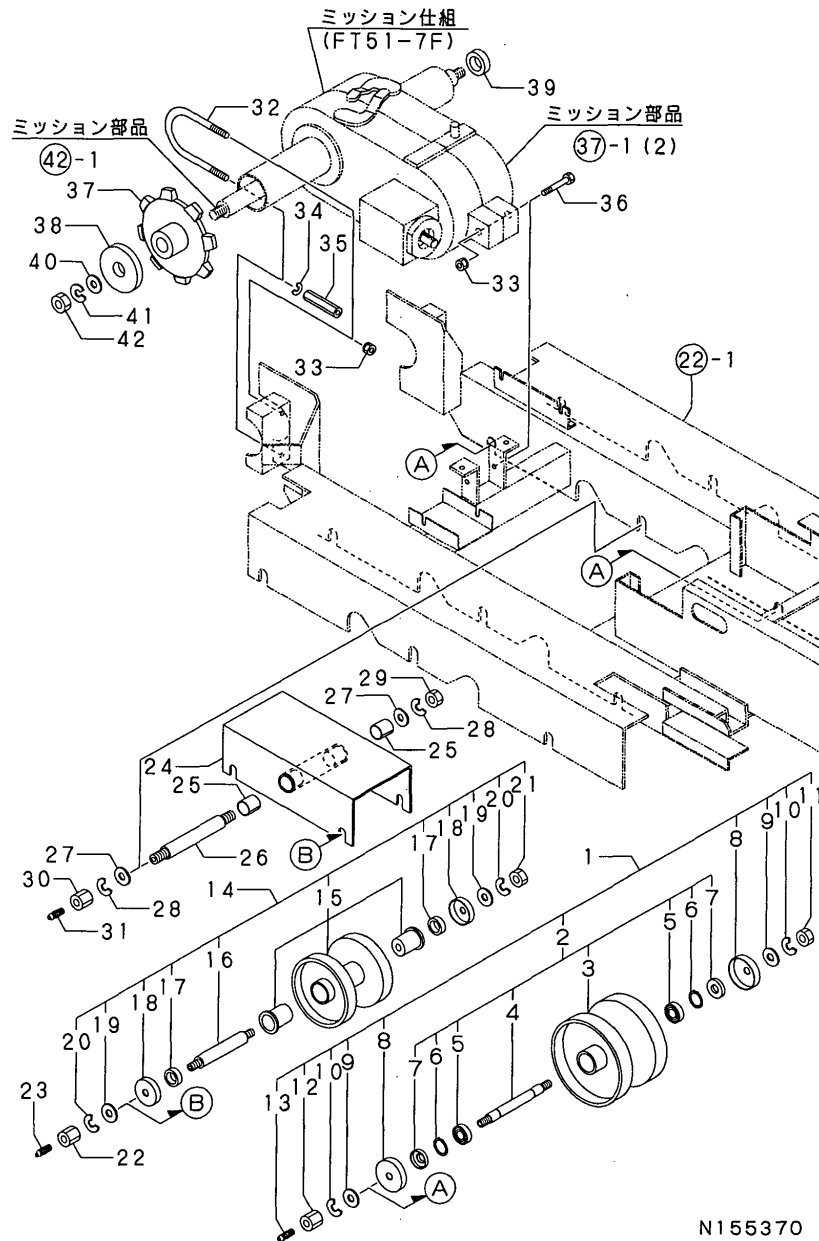
(A)=MCG1200FLD (D)=
 (B)=MCG1200F-PQ (E)=
 (C)= (F)=



| REF. | LEV. | PARTS NO. | DESCRIPTION | QTY | | | | | | I | R |
|------|------|--------------|---------------------|-----|-----|-----|-----|-----|-----|---|---|
| | | | | (A) | (B) | (C) | (D) | (E) | (F) | | |
| 1 | 1 | 7N3542-35000 | FLOAT RING ASSY. | 2 | 2 | | | | | | |
| 2 | 2 | 1N3503-35070 | WHEEL, IDLE | 2 | 2 | | | | | | |
| 3 | 2 | 24101-060054 | BALL BEARING | 4 | 4 | | | | | | |
| 4 | 2 | 24421-354707 | OIL SEAL | 2 | 2 | | | | | | |
| 5 | 1 | 22242-000250 | CIRCLIP 25S | 2 | 2 | | | | | | |
| 6 | 1 | 1N3506-35020 | SEAL CAP | 2 | 2 | | | | | | |
| 7 | 1 | 1N1995-35040 | SHAFT, FRONT IDLER | 1 | 1 | | | | | | |
| 8 | 1 | 1N1995-37000 | HINGE | 1 | 1 | | | | | | |
| 9 | 1 | 26018-100254 | BOLT M10X 25 | 4 | 4 | | | | | | |
| 10 | 1 | 26367-100002 | U-NUT M10 | 4 | 4 | | | | | | |
| 11 | 1 | 26117-161504 | BOLT 16X150 | 2 | 2 | | | | | | |
| 12 | 1 | 26757-160002 | LOCK NUT M16 PLATED | 2 | 2 | | | | | | |
| 13 | 1 | 22217-160000 | SPRING WASHER 16 | 2 | 2 | | | | | | |
| 14 | 1 | 1N1995-35010 | SPRING | 2 | 2 | | | | | | |
| 15 | 1 | 1N1995-35030 | SEAT, SPRING | 2 | 2 | | | | | | |
| 16 | 1 | 1N1995-35060 | SCREW | 2 | 2 | | | | | | |
| 17 | 1 | 1N1995-68060 | GUIDE, SPRING | 2 | 2 | | | | | | |
| 18 | 1 | 1N1995-35080 | BOLT M12X45 | 2 | 2 | | | | | | |
| 19 | 1 | 1N1995-37020 | CRAWLER | 2 | 2 | | | | | | |

24. TRACK ROLLER

(A)=MCG1200FLD (D)=
 (B)=MCG1200F-PQ (E)=
 (C)= (F)=

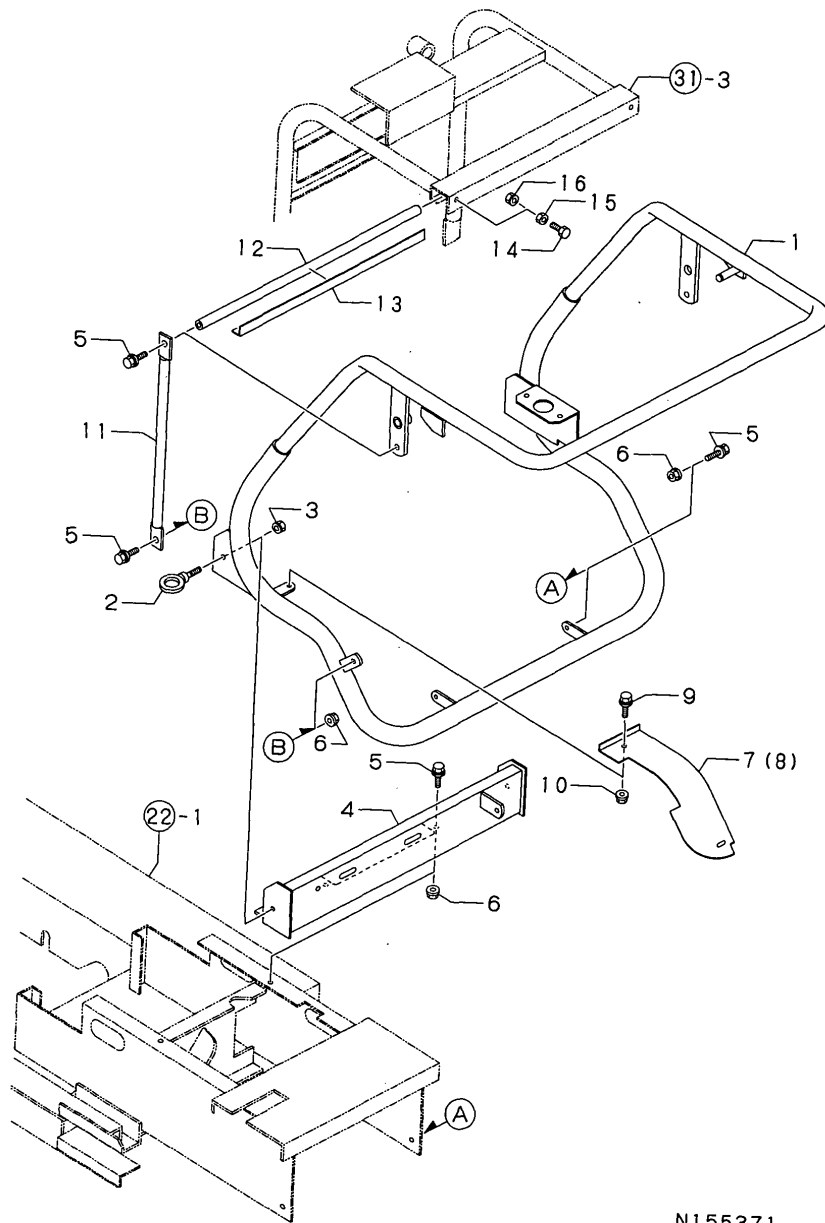


N155370

| REF. | LEV. | PARTS NO. | DESCRIPTION | QTY | | | | | | I | R |
|------|------|--------------|----------------------|-----|-----|-----|-----|-----|-----|---|---|
| | | | | (A) | (B) | (C) | (D) | (E) | (F) | | |
| 1 | 1 | 7N3542-36010 | LWR.TRANK ROLLER SET | 4 | 4 | | | | | | |
| 2 | 2 | 7N3542-36000 | LWR.TRANK ROLLER ASY | 4 | 4 | | | | | | |
| 3 | 3 | 1N3542-36040 | LOWER RING | 4 | 4 | | | | | | |
| 4 | 3 | 1N3545-36010 | SHAFT | 4 | 4 | | | | | | |
| 5 | 3 | 24101-060044 | BALL BEARING #6004 | 8 | 8 | | | | | | |
| 6 | 3 | 22242-000200 | CIRCLIP 20 | 8 | 8 | | | | | | |
| 7 | 3 | 24421-204212 | OIL SEAL | 8 | 8 | | | | | | |
| 8 | 2 | 1N1240-35030 | BASE,STAND | 8 | 8 | | | | | | |
| 9 | 2 | 22137-160000 | WASHER 16,POLISHED | 8 | 8 | | | | | | |
| 10 | 2 | 22217-160000 | SPRING WASHER 16 | 8 | 8 | | | | | | |
| 11 | 2 | 26757-160002 | LOCK NUT M16 PLATED | 4 | 4 | | | | | | |
| 12 | 1 | 1N1101-36050 | NUT M16,HIGH | 4 | 4 | | | | | | |
| 13 | 1 | 24761-060000 | NIPPLE MT6X1, GREASE | 4 | 4 | | | | | | |
| 14 | 1 | 7N3560-36001 | ROLLER ASSY.,TRACK | 4 | 4 | | | | | | |
| 15 | 2 | 1N3560-35070 | WHEEL | 4 | 4 | | | | | | |
| 16 | 2 | 1N3560-35040 | SHAFT | 4 | 4 | | | | | | |
| 17 | 2 | 1N3560-35050 | SEAL, OIL | 8 | 8 | | | | | | |
| 18 | 2 | 1N3560-35080 | DUST COVER | 8 | 8 | | | | | | |
| 19 | 2 | 22137-120000 | WASHER 12,POLISHED | 8 | 8 | | | | | | |
| 20 | 2 | 22217-120000 | SPRING WASHER | 8 | 8 | | | | | | |
| 21 | 2 | 26717-120002 | NUT M12 | 4 | 4 | | | | | | |
| 22 | 1 | 1N3561-36000 | NUT M12,HIGH | 4 | 4 | | | | | | |
| 23 | 1 | 24761-060000 | NIPPLE MT6X1, GREASE | 4 | 4 | | | | | | |
| 24 | 1 | 1N1995-36020 | EQUALIZER | 2 | 2 | | | | | | |
| 25 | 1 | 1N1415-68300 | LINER ML2225,M | 4 | 4 | | | | | | |
| 26 | 1 | 1N1995-36000 | SHAFT | 2 | 2 | | | | | | |
| 27 | 1 | 22137-160000 | WASHER 16,POLISHED | 4 | 4 | | | | | | |
| 28 | 1 | 22217-160000 | SPRING WASHER 16 | 4 | 4 | | | | | | |
| 29 | 1 | 26757-160002 | LOCK NUT M16 PLATED | 2 | 2 | | | | | | |
| 30 | 1 | 1N1101-36050 | NUT M16,HIGH | 2 | 2 | | | | | | |
| 31 | 1 | 24761-060000 | NIPPLE MT6X1, GREASE | 2 | 2 | | | | | | |
| 32 | 1 | 1N3501-35030 | U-BOLT | 2 | 2 | | | | | | |
| 33 | 1 | 26051-100002 | NUT M10 | 3 | 3 | | | | | | |
| 34 | 1 | 22217-100000 | SPRING WASHER 10 | 2 | 2 | | | | | | |
| 35 | 1 | 1N1995-35070 | NUT M10X70 | 2 | 2 | | | | | | |
| 36 | 1 | 26117-100702 | BOLT M10X 70 PLATED | 1 | 1 | | | | | | |
| 37 | 1 | 1N1995-35090 | SPROCKET | 2 | 2 | | | | | | |
| 38 | 1 | 1N1995-35100 | PLATE | 1 | 1 | | | | | | |
| 39 | 1 | 1N1995-35110 | COLLAR,AXLE | 1 | 1 | | | | | | |
| 40 | 1 | 22137-160000 | WASHER 16,POLISHED | 2 | 2 | | | | | | |
| 41 | 1 | 22217-160000 | SPRING WASHER 16 | 2 | 2 | | | | | | |
| 42 | 1 | 26717-160002 | NUT M16 | 2 | 2 | | | | | | |

25. HANDLE

(A)=MCG1200FLD (D)=
 (B)=MCG1200F-PQ (E)=
 (C)= (F)=

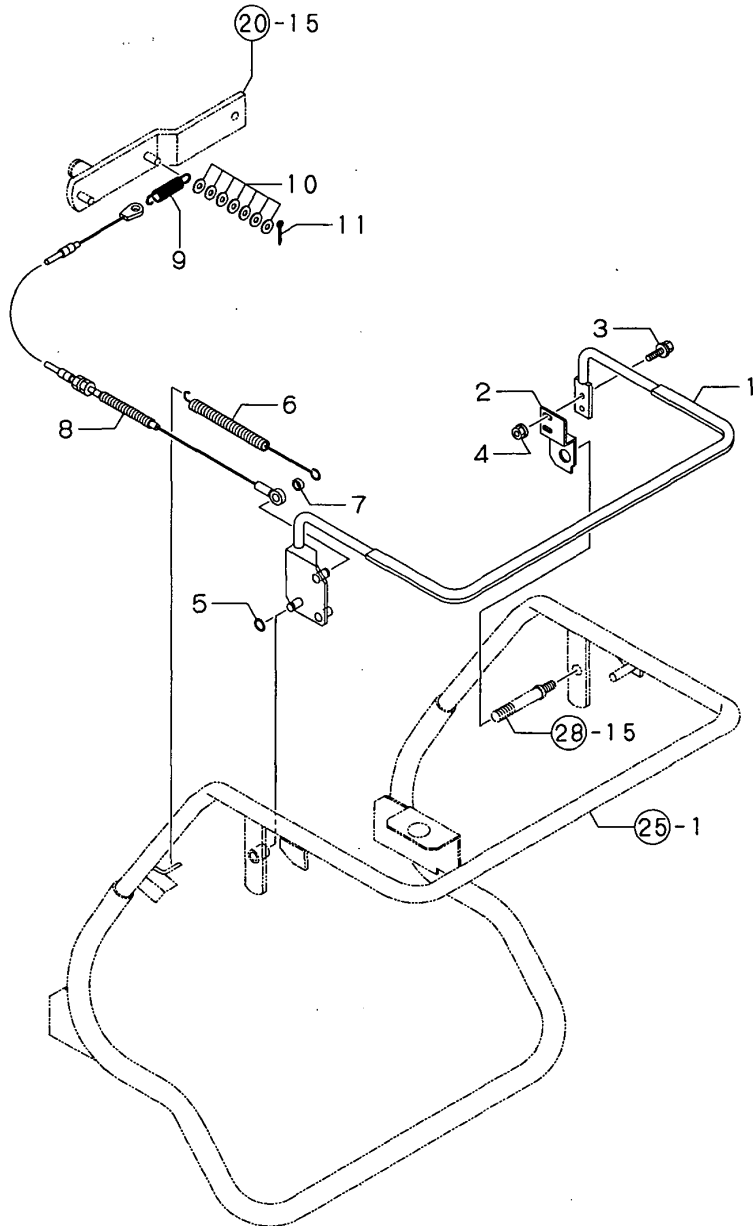


N155371

| REF. | LEV. | PARTS NO. | DESCRIPTION | QTY | | | | | | I | R |
|------|------|--------------|---------------------|-----|-----|-----|-----|-----|-----|---|---|
| | | | | (A) | (B) | (C) | (D) | (E) | (F) | | |
| 1 | 1 | 1N1995-47000 | HANDLE | 1 | 1 | | | | | | |
| 2 | 1 | 1N1995-31280 | BOLT M10 | 2 | 2 | | | | | | |
| 3 | 1 | 26051-100002 | NUT M10 | 2 | 2 | | | | | | |
| 4 | 1 | 1N1995-47140 | HANDLE BRACKET | 1 | 1 | | | | | | |
| 5 | 1 | 26018-080204 | BOLT M 8X 20 | 8 | 8 | | | | | | |
| 6 | 1 | 26367-080002 | U-NUT M 8 | 6 | 6 | | | | | | |
| 7 | 1 | 1N1995-58070 | COVER L,FENDER | 1 | 1 | | | | | | |
| 8 | 1 | 1N1995-58080 | COVER R,FENDER | 1 | 1 | | | | | | |
| 9 | 1 | 1N1291-58080 | BOLT 6X16 W/P&SW. | 4 | 4 | | | | | | |
| 10 | 1 | 26367-060002 | NUT M 6 | 4 | 4 | | | | | | |
| 11 | 1 | 1N1995-47130 | STAY,HANDLE | 2 | 2 | | | | | | |
| 12 | 1 | 1N1995-47040 | STAY,HANDLE A | 1 | 1 | | | | | | |
| 13 | 1 | 1N1995-45140 | PLATE | 1 | 1 | | | | | | |
| 14 | 1 | 26117-060304 | BOLT M 6X 30 PLATED | 2 | 2 | | | | | | |
| 15 | 1 | 26757-060002 | NUT M 6 | 2 | 2 | | | | | | |
| 16 | 1 | 26051-060002 | NUT M 6 | 2 | 2 | | | | | | |

26. TRAVEL CLUTCH LEVER

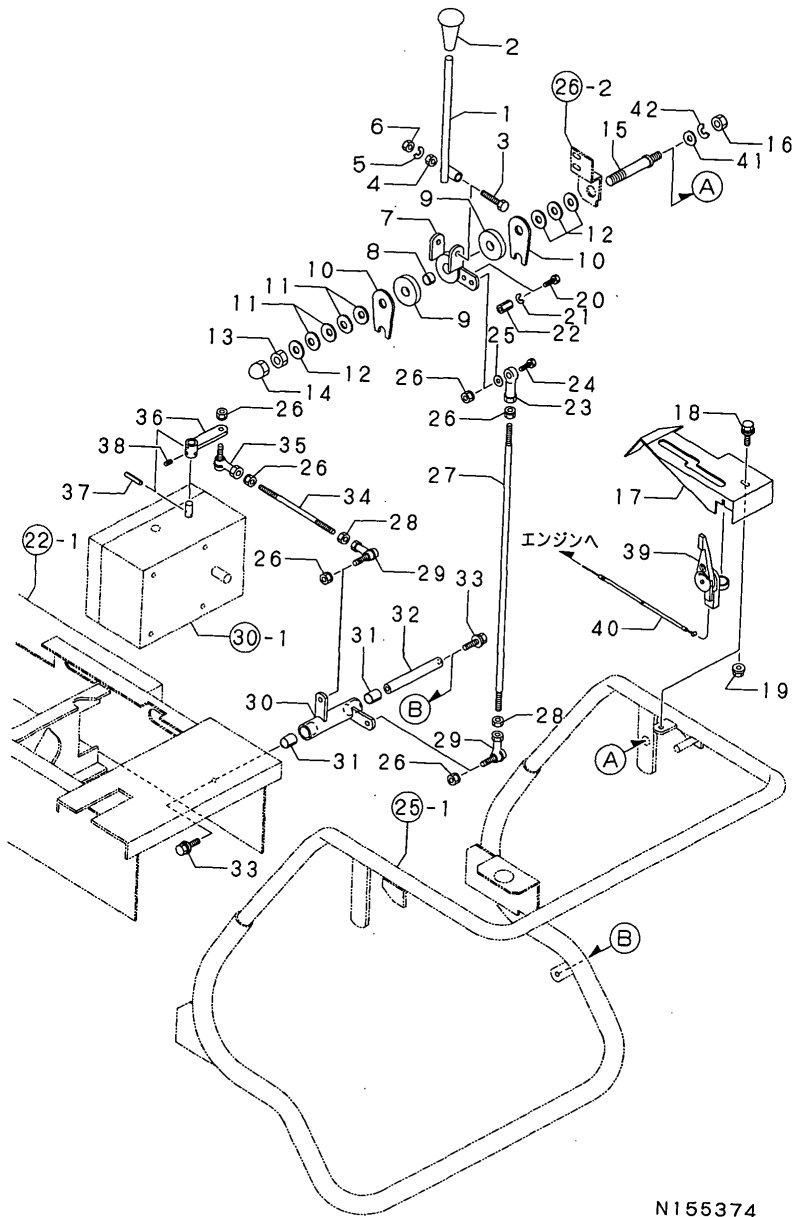
(A)=MCG1200FLD (D)=
 (B)=MCG1200F-PQ (E)=
 (C)= (F)=



| REF. | LEV. | PARTS NO. | DESCRIPTION | QTY | | | | | | I | R |
|------|------|--------------|----------------------|-----|-----|-----|-----|-----|-----|---|---|
| | | | | (A) | (B) | (C) | (D) | (E) | (F) | | |
| 1 | 1 | 1N1995-41240 | LEVER,DEADMAN | 1 | 1 | | | | | | |
| 2 | 1 | 1N1995-41210 | BRACKET,CLUTCH LEVER | 1 | 1 | | | | | | |
| 3 | 1 | 1N1291-58080 | BOLT 6X16 W/P&SW. | 2 | 2 | | | | | | |
| 4 | 1 | 26367-060002 | NUT M 6 | 2 | 2 | | | | | | |
| 5 | 1 | 22242-000120 | CIRCLIP 12 | 1 | 1 | | | | | | |
| 6 | 1 | 1N3503-53000 | SPRING | 1 | 1 | | | | | | |
| 7 | 1 | 1N1995-41040 | SPACER | 1 | 1 | | | | | | |
| 8 | 1 | 1N1995-42000 | WIRE,CONTROL | 1 | 1 | | | | | | |
| 9 | 1 | 1N3503-53010 | SPRING | 1 | 1 | | | | | | |
| 10 | 1 | 22137-080000 | WASHER 8, POLISHED | 7 | 7 | | | | | | |
| 11 | 1 | 22417-250200 | COTTER PIN 2.5X20 | 1 | 1 | | | | | | |

28. HST LEVER

(A)=MCG1200FLD (D)=
 (B)=MCG1200F-PQ (E)=
 (C)= (F)=

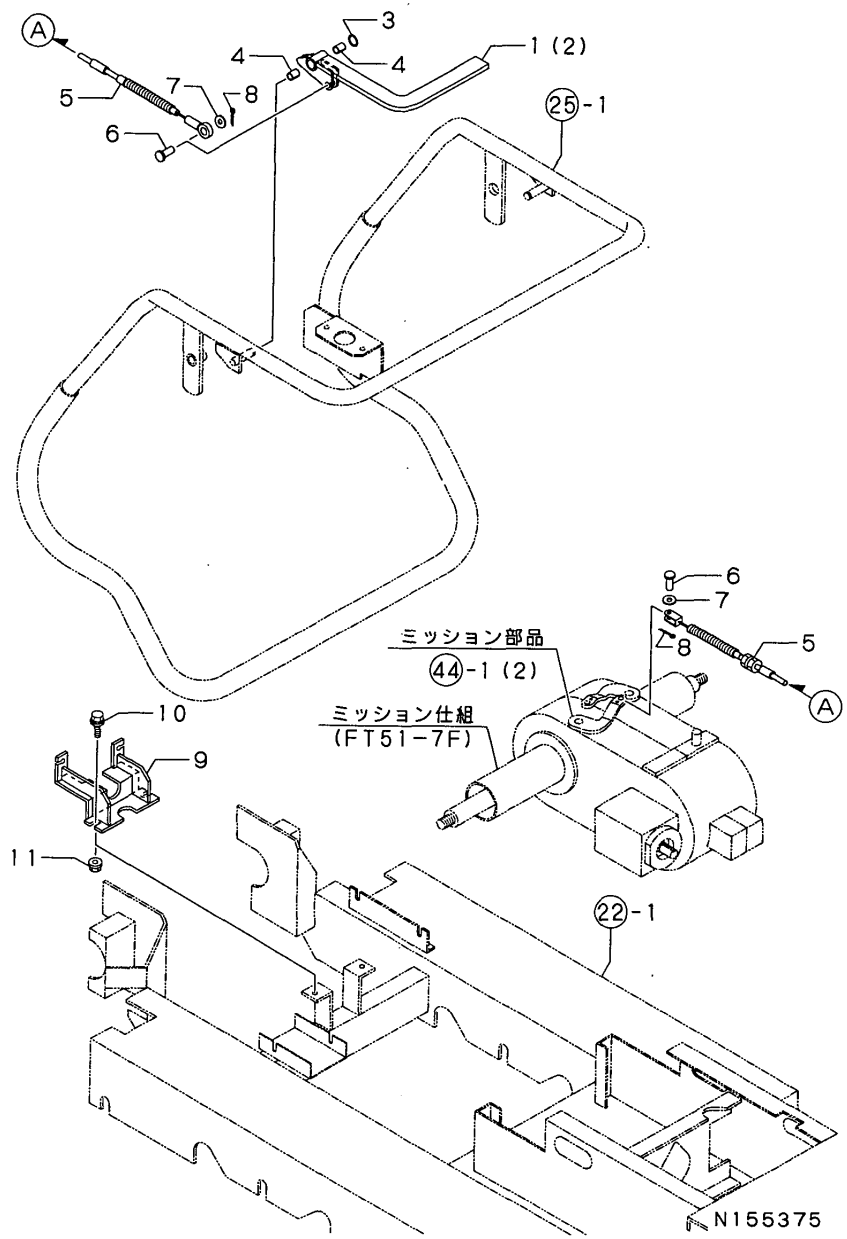


N155374

| REF. | LEV. | PARTS NO. | DESCRIPTION | QTY | | | | | | I | R |
|------|------|--------------|----------------------|-----|-----|-----|-----|-----|-----|---|---|
| | | | | (A) | (B) | (C) | (D) | (E) | (F) | | |
| 1 | 1 | 1N1995-41190 | CHANGE LEVER | 1 | 1 | | | | | | |
| 2 | 1 | 1N1101-44010 | GRIP 10,CLUTCH | 1 | 1 | | | | | | |
| 3 | 1 | 26117-100702 | BOLT M10X 70 PLATED | 1 | 1 | | | | | | |
| 4 | 1 | 26717-100002 | NUT M10 | 1 | 1 | | | | | | |
| 5 | 1 | 22217-100000 | SPRING WASHER 10 | 1 | 1 | | | | | | |
| 6 | 1 | 26757-100002 | LOCK NUT M10 | 1 | 1 | | | | | | |
| 7 | 1 | 1N1995-41170 | LEVER B,CHANGE | 1 | 1 | | | | | | |
| 8 | 1 | 1N3510-61190 | LINER | 1 | 1 | | | | | | |
| 9 | 1 | 1N1995-41010 | DISC PLATE | 2 | 2 | | | | | | |
| 10 | 1 | 1N1995-41200 | PLATE | 2 | 2 | | | | | | |
| 11 | 1 | 1N1211-47180 | WASHER 16,SPRING | 4 | 4 | | | | | | |
| 12 | 1 | 22137-160000 | WASHER 16,POLISHED | 4 | 4 | | | | | | |
| 13 | 1 | 26717-160002 | NUT M16 | 1 | 1 | | | | | | |
| 14 | 1 | 26657-160002 | CAP NUT M16 | 1 | 1 | | | | | | |
| 15 | 1 | 1N1995-47010 | SHAFT,FULCRUM | 1 | 1 | | | | | | |
| 16 | 1 | 26757-120002 | LOCK NUT M12 PLATED | 1 | 1 | | | | | | |
| 17 | 1 | 1N1995-41020 | GUIDE | 1 | 1 | | | | | | |
| 18 | 1 | 1N1291-58080 | BOLT 6X16 W/P&SW. | 2 | 2 | | | | | | |
| 19 | 1 | 26367-060002 | NUT M 6 | 2 | 2 | | | | | | |
| 20 | 1 | 26557-060162 | SCREW M 6X 16 | 1 | 1 | | | | | | |
| 21 | 1 | 22217-060000 | SPRING WASHER 6 | 1 | 1 | | | | | | |
| 22 | 1 | 1N3514-42520 | NUT M6X20 | 1 | 1 | | | | | | |
| 23 | 1 | 1N1555-41350 | ROD END | 1 | 1 | | | | | | |
| 24 | 1 | 26117-080304 | BOLT M 8X 30 PLATED | 1 | 1 | | | | | | |
| 25 | 1 | 22137-080000 | WASHER 8, POLISHED | 1 | 1 | | | | | | |
| 26 | 1 | 26051-080002 | NUT M 8 | 6 | 6 | | | | | | |
| 27 | 1 | 1N1995-41000 | ROD,ADJUSTING | 1 | 1 | | | | | | |
| 28 | 1 | 1N3506-41100 | M8X6.5 LOCKNUT LEFT- | 2 | 2 | | | | | | |
| 29 | 1 | 1N3506-41180 | LINK BALL L | 2 | 2 | | | | | | |
| 30 | 1 | 1N1995-41050 | LINK,CHANGE | 1 | 1 | | | | | | |
| 31 | 1 | 1E1107-62000 | LINER M | 2 | 2 | | | | | | |
| 32 | 1 | 1N3513-45100 | SHAFT | 1 | 1 | | | | | | |
| 33 | 1 | 26018-080204 | BOLT M 8X 20 | 2 | 2 | | | | | | |
| 34 | 1 | 1N3513-45250 | SCREW | 1 | 1 | | | | | | |
| 35 | 1 | 1N1142-45080 | END 8,ROD | 1 | 1 | | | | | | |
| 36 | 1 | 1N1995-41150 | LEVER A,CHANGE | 1 | 1 | | | | | | |
| 37 | 1 | 22351-050025 | SPRING PIN 5X25 | 1 | 1 | | | | | | |
| 38 | 1 | 26979-060082 | SCREW | 1 | 1 | | | | | | |
| 39 | 1 | 1N1993-51040 | LEVER,THROTTLE | 1 | 1 | | | | | | |
| 40 | 1 | 1N3561-51070 | WIRE,ACCELE | 1 | 1 | | | | | | |
| 41 | 1 | 22137-120000 | WASHER 12,POLISHED | 1 | 1 | | | | | | |
| 42 | 1 | 22217-120000 | SPRING WASHER | 1 | 1 | | | | | | |

29. SIDE CLUTCH LEVER

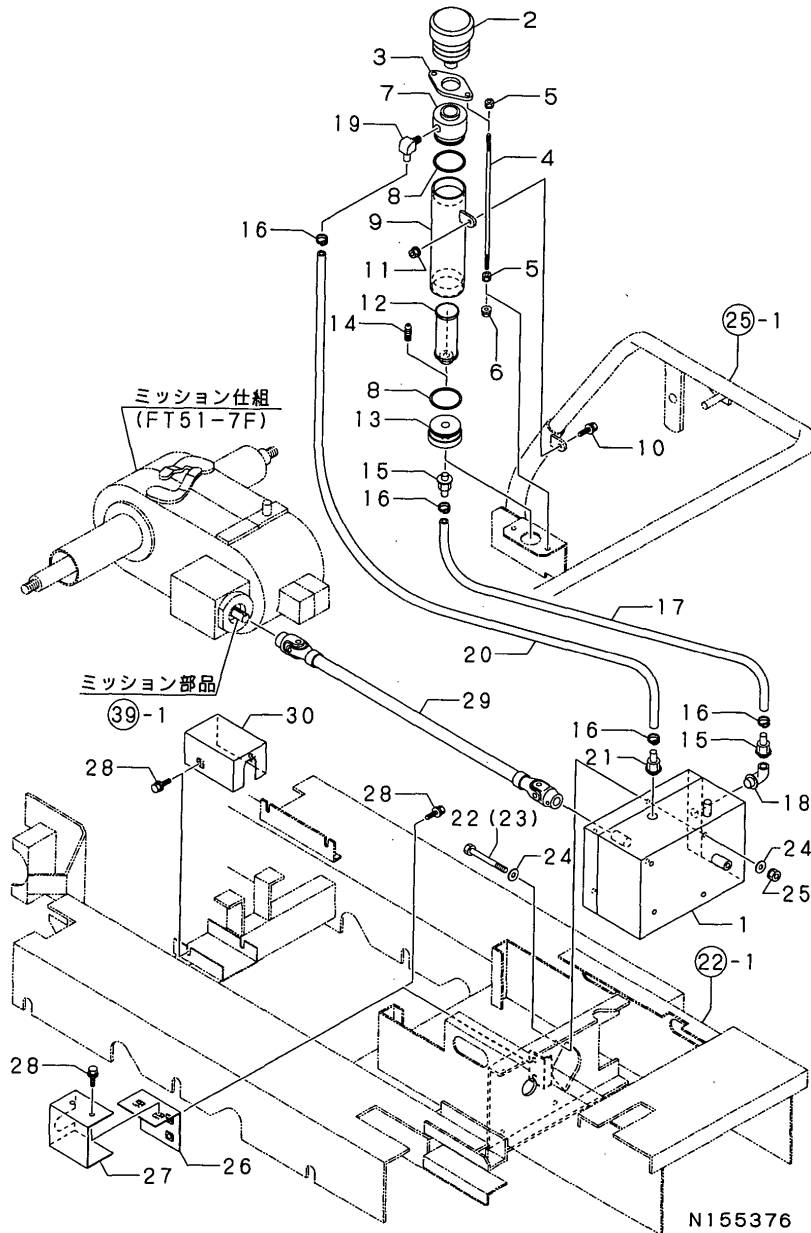
(A)=MCG1200FLD (D)=
 (B)=MCG1200F-PQ (E)=
 (C)= (F)=



| REF. | LEV. | PARTS NO. | DESCRIPTION | QTY | | | | | | I | R |
|------|------|--------------|---------------------|-----|-----|-----|-----|-----|-----|---|---|
| | | | | (A) | (B) | (C) | (D) | (E) | (F) | | |
| 1 | 1 | 1N1995-41080 | LEVER L,SIDE CLUTCH | 1 | 1 | | | | | | |
| 2 | 1 | 1N1995-41070 | SIDE CLUTCH LEVER R | 1 | 1 | | | | | | |
| 3 | 1 | 22242-000120 | CIRCLIP 12 | 2 | 2 | | | | | | |
| 4 | 1 | 1N1995-41440 | BUSH | 4 | 4 | | | | | | |
| 5 | 1 | 1N1995-44000 | SIDE CLUTCH WIRE | 2 | 2 | | | | | | |
| 6 | 1 | 1N1210-42140 | RIVET | 4 | 4 | | | | | | |
| 7 | 1 | 22137-060000 | WASHER 6, POLISHED | 4 | 4 | | | | | | |
| 8 | 1 | 22417-250200 | COTTER PIN 2.5X20 | 4 | 4 | | | | | | |
| 9 | 1 | 1N1995-41270 | BRACKET_OUTER | 1 | 1 | | | | | | |
| 10 | 1 | 26018-080204 | BOLT M 8X 20 | 2 | 2 | | | | | | |
| 11 | 1 | 26367-080002 | U-NUT M 8 | 2 | 2 | | | | | | |

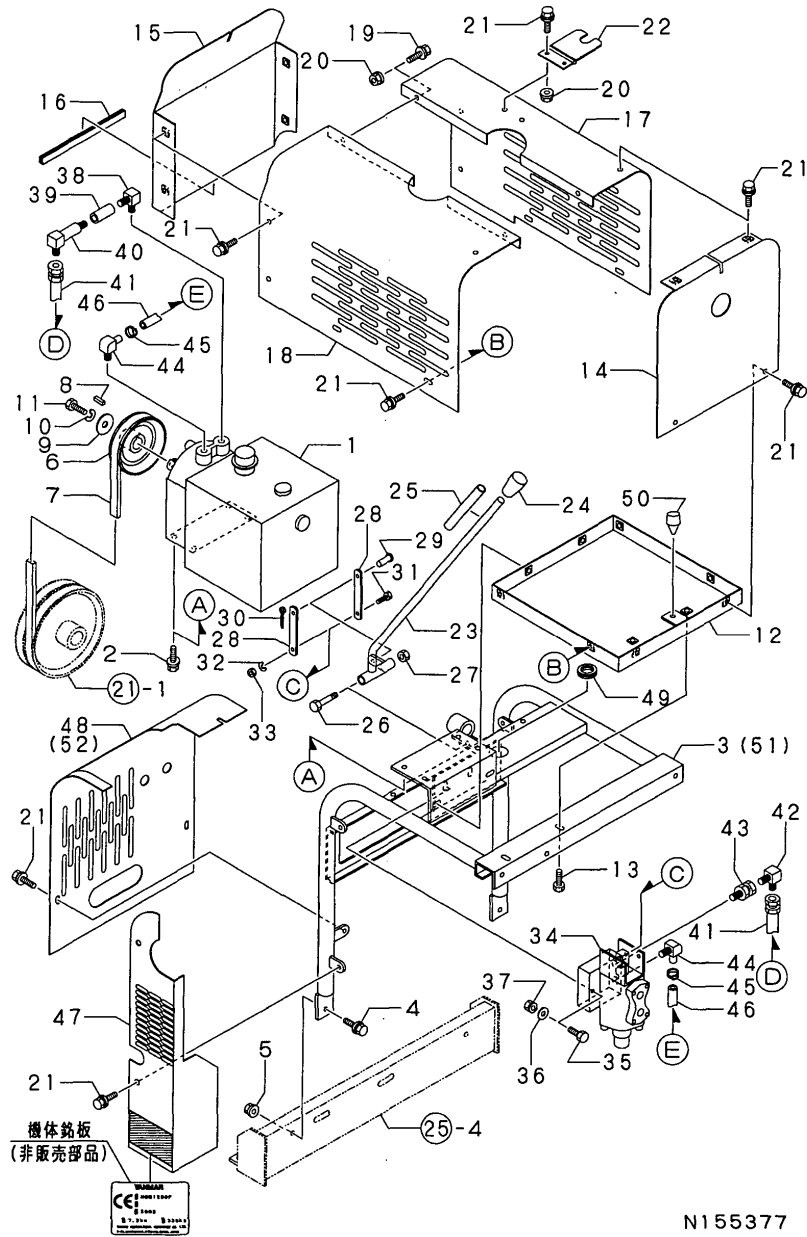
30. HST TANK

(A)=MCG1200FLD (D)=
 (B)=MCG1200F-PQ (E)=
 (C)= (F)=



| REF. | LEV. | PARTS NO. | DESCRIPTION | QTY | | | | | | I | R |
|------|------|--------------|---------------------|-----|-----|-----|-----|-----|-----|---|---|
| | | | | (A) | (B) | (C) | (D) | (E) | (F) | | |
| 1 | 1 | 7N1995-24000 | HST | 1 | 1 | | | | | | |
| 2 | 1 | 1N3506-24000 | TANK | 1 | 1 | | | | | | |
| 3 | 1 | 1N1995-25050 | RETAINER | 1 | 1 | | | | | | |
| 4 | 1 | 1N1995-25030 | BOLT | 2 | 2 | | | | | | |
| 5 | 1 | 26051-060002 | NUT M 6 | 4 | 4 | | | | | | |
| 6 | 1 | 26367-060002 | NUT M 6 | 2 | 2 | | | | | | |
| 7 | 1 | 1N1995-25000 | HEAD,OIL TANK | 1 | 1 | | | | | | |
| 8 | 1 | 1N1995-61140 | O-RING 1A G-45.0 | 2 | 2 | | | | | | |
| 9 | 1 | 1N1995-25040 | HST TANK | 1 | 1 | | | | | | |
| 10 | 1 | 26018-080204 | BOLT M 8X 20 | 1 | 1 | | | | | | |
| 11 | 1 | 26367-080002 | U-NUT M 8 | 1 | 1 | | | | | | |
| 12 | 1 | 1N1995-61060 | STRAINER | 1 | 1 | | | | | | |
| 13 | 1 | 1N1995-25010 | HEAD,OIL TANK | 1 | 1 | | | | | | |
| 14 | 1 | 1N1995-61120 | NIPPLE | 1 | 1 | | | | | | |
| 15 | 1 | 1N1995-61090 | NIPPLE,HOSE | 2 | 2 | | | | | | |
| 16 | 1 | 1N3507-61150 | CLAMP | 4 | 4 | | | | | | |
| 17 | 1 | 1N1995-61180 | SUCTION HOSE | 1 | 1 | | | | | | |
| 18 | 1 | 1N1995-61080 | ELBOW,90 ADJUSTABLE | 1 | 1 | | | | | | |
| 19 | 1 | 1N1995-61070 | ELBOW | 1 | 1 | | | | | | |
| 20 | 1 | 1N1995-61160 | SUCTION HOSE | 1 | 1 | | | | | | |
| 21 | 1 | 1N3507-61080 | JOINT D | 1 | 1 | | | | | | |
| 22 | 1 | 26116-081302 | BOLT M 8X130 PLATED | 2 | 2 | | | | | | |
| 23 | 1 | 26117-080452 | BOLT M 8X 45 | 2 | 2 | | | | | | |
| 24 | 1 | 22137-080000 | WASHER 8, POLISHED | 8 | 8 | | | | | | |
| 25 | 1 | 26051-080002 | NUT M 8 | 4 | 4 | | | | | | |
| 26 | 1 | 1N1995-58090 | COVER | 1 | 1 | | | | | | |
| 27 | 1 | 1N1995-58000 | COVER | 1 | 1 | | | | | | |
| 28 | 1 | 26018-060164 | BOLT M 6X 16 | 6 | 6 | | | | | | |
| 29 | 1 | 1N1995-23000 | SHAFT,PROPELLER | 1 | 1 | | | | | | |
| 30 | 1 | 1N1995-58110 | COVER | 1 | 1 | | | | | | |

31. HYDRAULIC PUMP



N155377

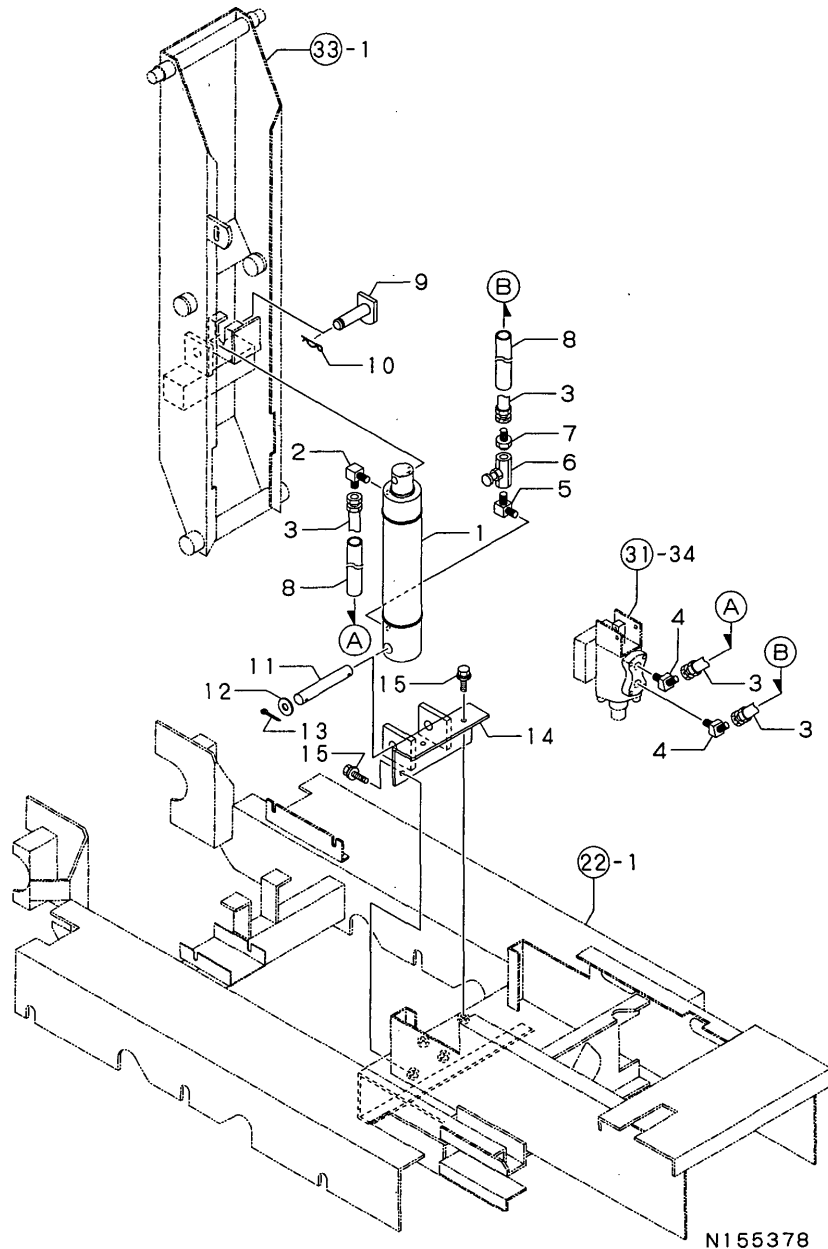
(A)=MCG1200FLD (D)=
 (B)=MCG1200F-PQ (E)=
 (C)= (F)=

| REF. | LEV. | PARTS NO. | DESCRIPTION | QTY | | | | | | I | R |
|------|------|--------------|----------------------|-----|-----|-----|-----|-----|-----|---|---|
| | | | | (A) | (B) | (C) | (D) | (E) | (F) | | |
| 1 | 1 | 7N1995-61000 | HYDRAULIC PUMP | 1 | | | | | | | |
| 2 | 1 | 26018-080204 | BOLT M 8X 20 | 4 | | | | | | | |
| 3 | 1 | 1N1995-45060 | PLATFORM,PACKAGE | 1 | | | | | | | |
| 4 | 1 | 26018-100254 | BOLT M10X 25 | 2 | 2 | | | | | | |
| 5 | 1 | 26367-100002 | U-NUT M10 | 2 | 2 | | | | | | |
| 6 | 1 | 1N1995-21010 | PULLEY | 1 | | | | | | | |
| 7 | 1 | 25123-005401 | V-BELT | 1 | | | | | | | |
| 8 | 1 | 22550-050150 | KEY 5X15 | 1 | | | | | | | |
| 9 | 1 | 1N1210-16060 | WASHER 11X35,RUBBER | 1 | | | | | | | |
| 10 | 1 | 22217-100000 | SPRING WASHER 10 | 1 | | | | | | | |
| 11 | 1 | 26117-100254 | BOLT M10X25 PLATED | 1 | | | | | | | |
| 12 | 1 | 1N1995-45150 | SUMP, OIL | 1 | | | | | | | |
| 13 | 1 | 1E1115-58300 | BOLT 6X20 | 2 | | | | | | | |
| 14 | 1 | 1N1995-58180 | TANK COVER | 1 | | | | | | | |
| 15 | 1 | 1N1995-58200 | TANK COVER | 1 | | | | | | | |
| 16 | 1 | 1N1995-58330 | TRIM | 1 | | | | | | | |
| 17 | 1 | 1N1995-58220 | COVER R, TANK | 1 | | | | | | | |
| 18 | 1 | 1N1995-58230 | COVER L,TANK | 1 | | | | | | | |
| 19 | 1 | 26018-060164 | BOLT M 6X 16 | 2 | | | | | | | |
| 20 | 1 | 26367-060002 | NUT M 6 | 4 | | | | | | | |
| 21 | 1 | 1N1291-58080 | BOLT 6X16 W/P&SW. | 20 | 6 | | | | | | |
| 22 | 1 | 1N1995-45030 | PLATE | 1 | | | | | | | |
| 23 | 1 | 1N1995-45000 | LEVER, DUMP | 1 | | | | | | | |
| 24 | 1 | 1N1101-44020 | GRIP 10,BRAKE | 1 | | | | | | | |
| 25 | 1 | 1N1995-45180 | VINYL HOSE | 1 | | | | | | | |
| 26 | 1 | 26117-100804 | BOLT 10X80 | 1 | | | | | | | |
| 27 | 1 | 26347-100002 | U-NUT M10 | 1 | | | | | | | |
| 28 | 1 | 1N1995-45050 | LINK,DUMP LEVER | 2 | | | | | | | |
| 29 | 1 | 1N1215-51000 | PIN 6X16,RIVET | 1 | | | | | | | |
| 30 | 1 | 22417-250200 | COTTER PIN 2.5X20 | 1 | | | | | | | |
| 31 | 1 | 26117-050204 | BOLT M 5X 20 PLATED | 1 | | | | | | | |
| 32 | 1 | 22217-050000 | SPRING WASHER 5 | 1 | | | | | | | |
| 33 | 1 | 26717-050002 | NUT 5 | 1 | | | | | | | |
| 34 | 1 | 7N1995-61010 | VALVE | 1 | | | | | | | |
| 35 | 1 | 26116-060352 | BOLT M 6X 35 PLATED | 2 | | | | | | | |
| 36 | 1 | 22137-060000 | WASHER 6, POLISHED | 2 | | | | | | | |
| 37 | 1 | 26051-060002 | NUT M 6 | 2 | | | | | | | |
| 38 | 1 | 1N1995-61100 | ELBOW | 1 | | | | | | | |
| 39 | 1 | 1N1995-61110 | SOCKET | 1 | | | | | | | |
| 40 | 1 | 1N3512-61040 | ELBOW, LONG | 1 | | | | | | | |
| 41 | 1 | 1N1995-61050 | HOSE H2-800,HYDRAUL. | 1 | | | | | | | |
| 42 | 1 | 1N3516-45210 | ELBOW | 1 | | | | | | | |
| 43 | 1 | 1E1107-61260 | ADAPTER | 1 | | | | | | | |
| 44 | 1 | 1N1995-61070 | ELBOW | 2 | | | | | | | |
| 45 | 1 | 1N1995-61130 | HOSE BAND | 2 | | | | | | | |
| 46 | 1 | 1N1995-61150 | SUCTION HOSE | 1 | | | | | | | |
| 47 | 1 | 1N1995-58150 | SIDE COVER | 1 | 1 | | | | | | |
| 48 | 1 | 1N1995-58160 | FRONT COVER | 1 | | | | | | | |
| 49 | 1 | 1N1185-53010 | GROMMET 35 | 1 | | | | | | | |
| 50 | 1 | 1N1101-44040 | RUBBER,STOPPER | 1 | | | | | | | |
| 51 | 1 | 1N1995-45210 | MOUNT,COVER | | 1 | | | | | | |
| 52 | 1 | 1N1995-58350 | FRONT COVER | | 1 | | | | | | |

32. HYDRAULIC CYLINDER

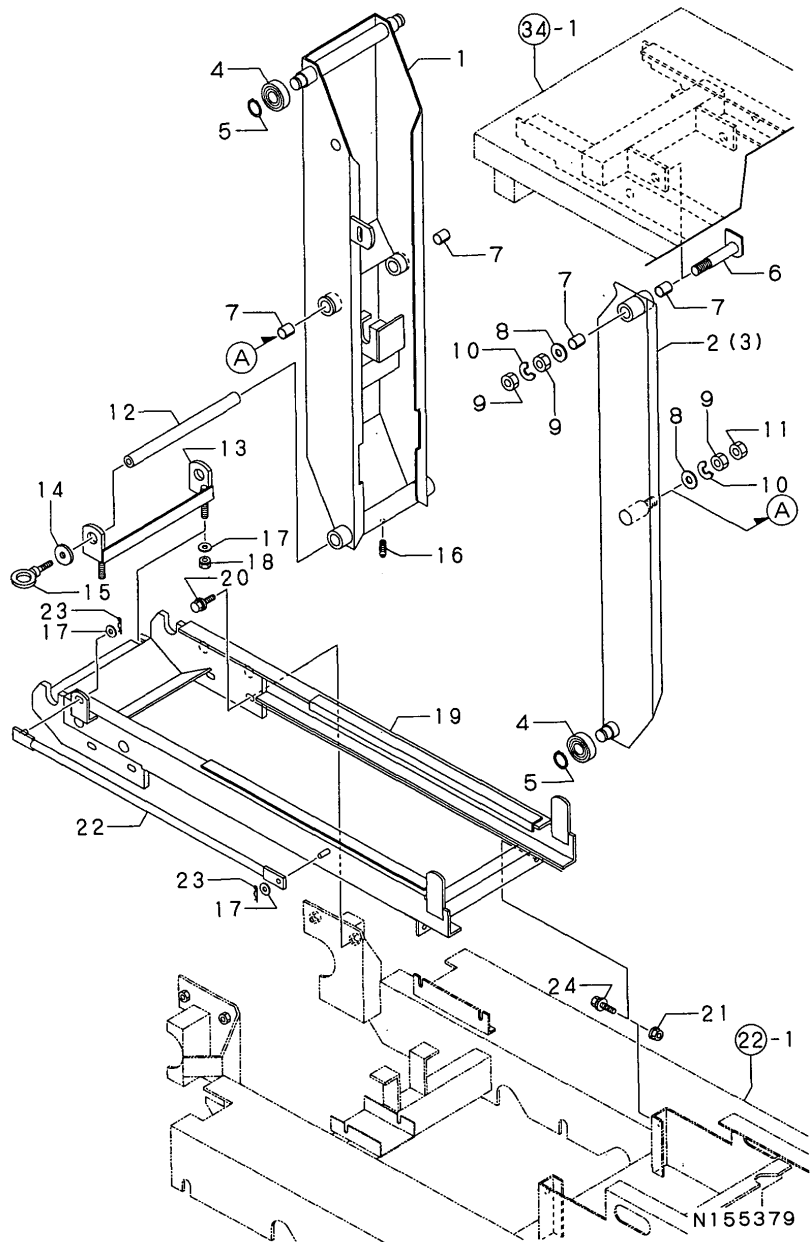
(A)=MCG1200FLD (D)=
 (B)=MCG1200F-PQ (E)=
 (C)= (F)=

| REF. | LEV. | PARTS NO. | DESCRIPTION | QTY | | | | | | I | R |
|------|------|--------------|-------------------|-----|-----|-----|-----|-----|-----|---|---|
| | | | | (A) | (B) | (C) | (D) | (E) | (F) | | |
| 1 | 1 | 1N1995-61000 | CYLINDER | 1 | | | | | | | |
| 2 | 1 | 1N1090-61030 | ELBOW | 1 | | | | | | | |
| 3 | 1 | 1N1995-61040 | HOSE | 2 | | | | | | | |
| 4 | 1 | 1E1101-61040 | ELBOW 4 | 2 | | | | | | | |
| 5 | 1 | 1N1995-61100 | ELBOW | 1 | | | | | | | |
| 6 | 1 | 1N3512-61020 | VALVE,THRITTLE | 1 | | | | | | | |
| 7 | 1 | 1E1107-61250 | ADAPTER | 1 | | | | | | | |
| 8 | 1 | 1N1995-61170 | VINYL HOSE | 2 | | | | | | | |
| 9 | 1 | 1N1995-68480 | PIN,CYLINDER | 1 | | | | | | | |
| 10 | 1 | 22360-180000 | SNAP PIN 18 | 1 | | | | | | | |
| 11 | 1 | 1N3544-61020 | PIN | 1 | | | | | | | |
| 12 | 1 | 22137-180000 | WASHER 18 | 2 | | | | | | | |
| 13 | 1 | 22417-400400 | COTTER PIN 4.0X40 | 2 | | | | | | | |
| 14 | 1 | 1N1995-68260 | BRACKET | 1 | | | | | | | |
| 15 | 1 | 26018-100254 | BOLT M10X 25 | 4 | | | | | | | |



33. PANTAGRAPH

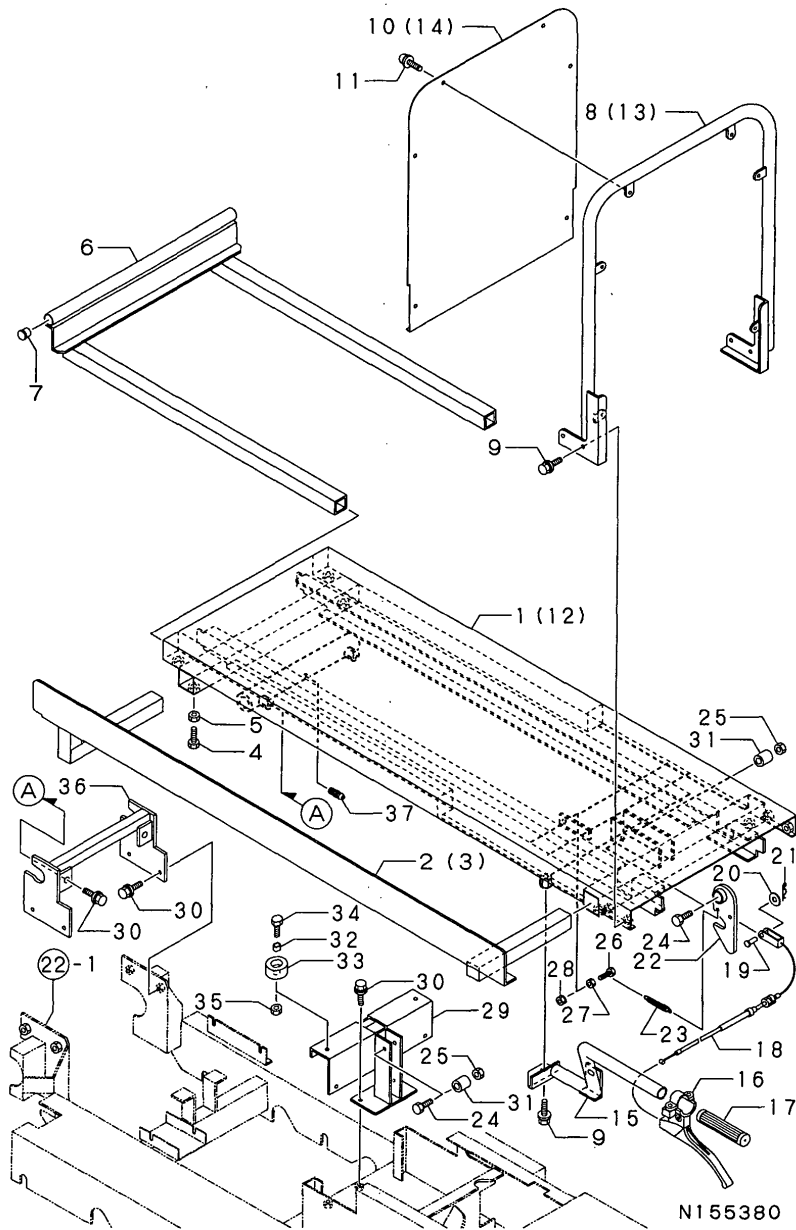
(A)=MCG1200FLD (D)=
 (B)=MCG1200F-PQ (E)=
 (C)= (F)=



| REF. | LEV. | PARTS NO. | DESCRIPTION | QTY | | | | | | I | R |
|------|------|--------------|----------------------|-----|-----|-----|-----|-----|-----|---|---|
| | | | | (A) | (B) | (C) | (D) | (E) | (F) | | |
| 1 | 1 | 1N1995-68200 | ARM | 1 | | | | | | | |
| 2 | 1 | 1N1995-68160 | ARM | 1 | | | | | | | |
| 3 | 1 | 1N1995-68180 | ARM | 1 | | | | | | | |
| 4 | 1 | 24104-060044 | BALL BEARING | 4 | | | | | | | |
| 5 | 1 | 22242-000200 | CIRCLIP 20 | 4 | | | | | | | |
| 6 | 1 | 1N1995-68460 | SHAFT,ARM | 2 | | | | | | | |
| 7 | 1 | 1N1995-68560 | BUSH | 6 | | | | | | | |
| 8 | 1 | 22137-160000 | WASHER 16,POLISHED | 4 | | | | | | | |
| 9 | 1 | 26717-160002 | NUT M16 | 6 | | | | | | | |
| 10 | 1 | 22217-160000 | SPRING WASHER 16 | 4 | | | | | | | |
| 11 | 1 | 26757-160002 | LOCK NUT M16 PLATED | 2 | | | | | | | |
| 12 | 1 | 1N1995-68000 | ARM SHAFT | 1 | | | | | | | |
| 13 | 1 | 1N1995-68290 | HINGE | 1 | | | | | | | |
| 14 | 1 | 1N1210-16060 | WASHER 11X35,RUBBER | 2 | | | | | | | |
| 15 | 1 | 1N1995-31280 | BOLT M10 | 2 | | | | | | | |
| 16 | 1 | 24761-060000 | NIPPLE MT6X1, GREASE | 1 | | | | | | | |
| 17 | 1 | 22137-100000 | WASHER 10,POLISHED | 4 | | | | | | | |
| 18 | 1 | 26051-100002 | NUT M10 | 2 | | | | | | | |
| 19 | 1 | 1N1995-68070 | LIFT RAIL | 1 | | | | | | | |
| 20 | 1 | 1N1286-47110 | BOLT 8X30 | 4 | | | | | | | |
| 21 | 1 | 26367-100002 | U-NUT M10 | 2 | | | | | | | |
| 22 | 1 | 1N1995-68440 | STAY | 1 | | | | | | | |
| 23 | 1 | 22360-100000 | SNAP PIN 10 | 2 | | | | | | | |
| 24 | 1 | 26018-100254 | BOLT M10X 25 | 2 | | | | | | | |

34. PLATFORM CARRIER

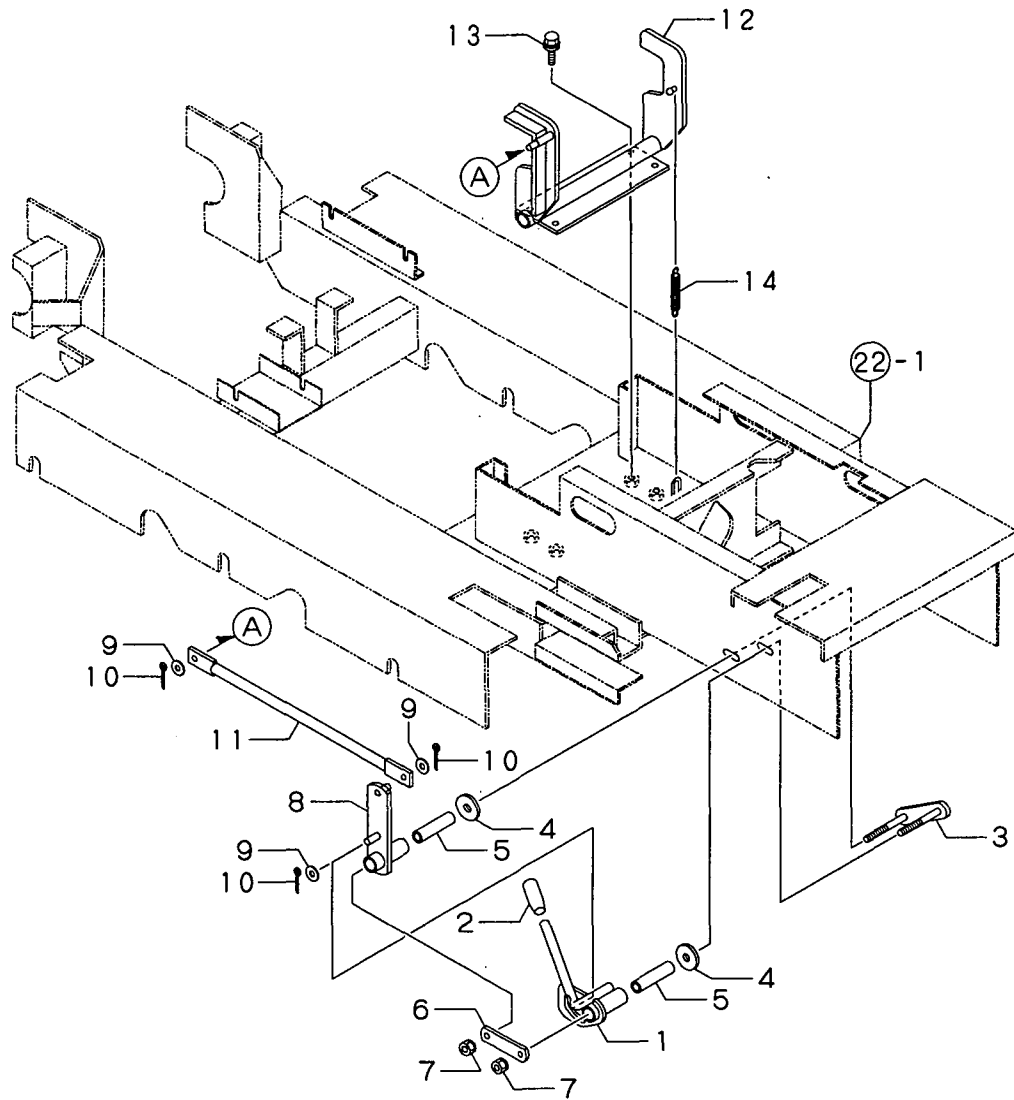
(A)=MCG1200FLD (D)=
 (B)=MCG1200F-PQ (E)=
 (C)= (F)=



| REF. | LEV. | PARTS NO. | DESCRIPTION | QTY | | | | | | I | R |
|------|------|--------------|----------------------|-----|-----|-----|-----|-----|-----|---|---|
| | | | | (A) | (B) | (C) | (D) | (E) | (F) | | |
| 1 | 1 | 1N1995-64000 | CARRIER,PLATFORM | 1 | | | | | | | |
| 2 | 1 | 1N1995-65000 | PLATE L,SIDE | 1 | 1 | | | | | | |
| 3 | 1 | 1N1995-65010 | PLATE R,SIDE | 1 | 1 | | | | | | |
| 4 | 1 | 26117-100254 | BOLT M10X25 PLATED | 6 | 6 | | | | | | |
| 5 | 1 | 26757-100002 | LOCK NUT M10 | 6 | 6 | | | | | | |
| 6 | 1 | 1N1995-66000 | PLATE | 1 | 1 | | | | | | |
| 7 | 1 | 1N3513-58230 | PLUG | 2 | 2 | | | | | | |
| 8 | 1 | 1N1995-66040 | GUIDE PIPE | 1 | | | | | | | |
| 9 | 1 | 26018-100252 | BOLT M10X 25 | 4 | 5 | | | | | | |
| 10 | 1 | 1N1995-66080 | PLATE,BACK | 1 | | | | | | | |
| 11 | 1 | 1N3503-66220 | SCREW 6X12 | 6 | 4 | | | | | | |
| 12 | 1 | 1N1995-64120 | CARRIER,PLATFORM | | 1 | | | | | | |
| 13 | 1 | 1N1995-66090 | GUIDE PIPE | | 1 | | | | | | |
| 14 | 1 | 1N1995-66100 | PLATE BACK | | 1 | | | | | | |
| 15 | 1 | 1N1995-64220 | LEVER, DUMP | | 1 | | | | | | |
| 16 | 1 | 1N3545-45240 | LEVER | | 1 | | | | | | |
| 17 | 1 | 1N1313-44000 | GRIP A 25.4 | | 1 | | | | | | |
| 18 | 1 | 1N3545-51030 | WIRE,CARRIER LOCK | | 1 | | | | | | |
| 19 | 1 | 1N1215-51000 | PIN 6X16,RIVET | | 1 | | | | | | |
| 20 | 1 | 22137-060000 | WASHER 6, POLISHED | | 1 | | | | | | |
| 21 | 1 | 1N3513-42160 | PIN | | 1 | | | | | | |
| 22 | 1 | 1N3545-45210 | LOCK PLATE | | 1 | | | | | | |
| 23 | 1 | 1N1190-45000 | SPRING 11X72.5,TENS. | | 1 | | | | | | |
| 24 | 1 | 26116-100402 | BOLT 10X 40 | | 2 | | | | | | |
| 25 | 1 | 26347-100002 | U-NUT M10 | | 2 | | | | | | |
| 26 | 1 | 26117-060354 | BOLT M 6X 35 PLATED | | 1 | | | | | | |
| 27 | 1 | 26757-060002 | NUT M 6 | | 1 | | | | | | |
| 28 | 1 | 26051-060002 | NUT M 6 | | 1 | | | | | | |
| 29 | 1 | 1N1995-68620 | BRACKET,LOCK | | 1 | | | | | | |
| 30 | 1 | 26018-100254 | BOLT M10X 25 | | 10 | | | | | | |
| 31 | 1 | 1N1995-68660 | PIPE | | 2 | | | | | | |
| 32 | 1 | 1N3503-64420 | COLLAR 8.8X12X8 | | 2 | | | | | | |
| 33 | 1 | 1N3503-44000 | RUBBER,STOPPER | | 2 | | | | | | |
| 34 | 1 | 26117-080204 | BOLT M 8X 20 PLATED | | 2 | | | | | | |
| 35 | 1 | 26051-080002 | NUT M 8 | | 2 | | | | | | |
| 36 | 1 | 1N1995-68570 | BRACKET | | 1 | | | | | | |
| 37 | 1 | 24761-060000 | NIPPLE MT6X1, GREASE | | 1 | | | | | | |

35. DUMP CHANGE LEVER

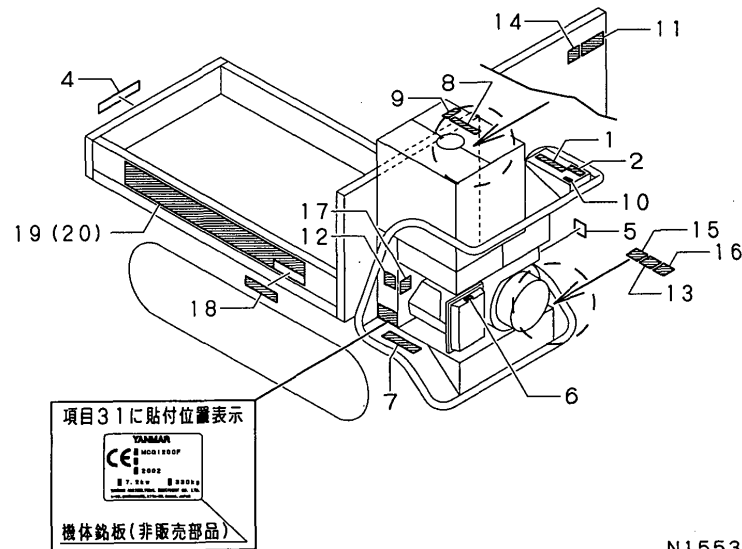
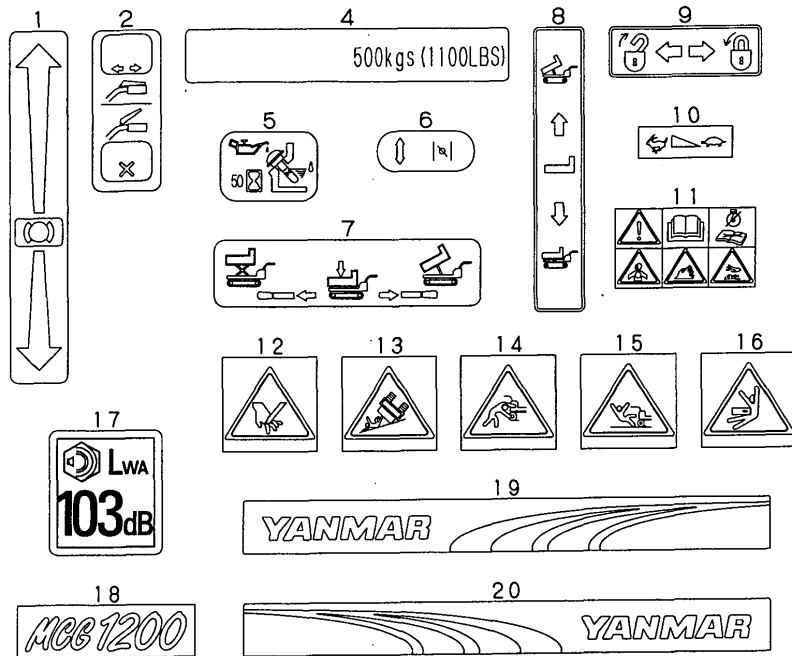
(A)=MCG1200FLD (D)=
 (B)=MCG1200F-PQ (E)=
 (C)= (F)=



| REF. | LEV. | PARTS NO. | DESCRIPTION | QTY | | | | | | I | R |
|------|------|--------------|----------------------|-----|-----|-----|-----|-----|-----|---|---|
| | | | | (A) | (B) | (C) | (D) | (E) | (F) | | |
| 1 | 1 | 1N1995-68350 | LEVER | 1 | | | | | | | |
| 2 | 1 | 1N1101-44020 | GRIP 10,BRAKE | 1 | | | | | | | |
| 3 | 1 | 1N1995-68400 | STUD, STARTER | 1 | | | | | | | |
| 4 | 1 | 1N1210-16060 | WASHER 11X35,RUBBER | 2 | | | | | | | |
| 5 | 1 | 1N1300-65240 | CAM LEVER | 2 | | | | | | | |
| 6 | 1 | 1N1995-68550 | RETAINER | 1 | | | | | | | |
| 7 | 1 | 26051-100002 | NUT M10 | 2 | | | | | | | |
| 8 | 1 | 1N1995-68380 | LEVER | 1 | | | | | | | |
| 9 | 1 | 22137-080000 | WASHER 8, POLISHED | 3 | | | | | | | |
| 10 | 1 | 22417-250200 | COTTER PIN 2.5X20 | 3 | | | | | | | |
| 11 | 1 | 1N1995-68430 | ROD | 1 | | | | | | | |
| 12 | 1 | 1N1995-68320 | LINK,DUMP CHANGEOVER | 1 | | | | | | | |
| 13 | 1 | 26018-100254 | BOLT M10X 25 | 4 | | | | | | | |
| 14 | 1 | 1N1190-45000 | SPRING 11X72.5,TENS. | 1 | | | | | | | |

36. LABELS

(A)=MCG1200FLD (D)=
 (B)=MCG1200F-PQ (E)=
 (C)= (F)=

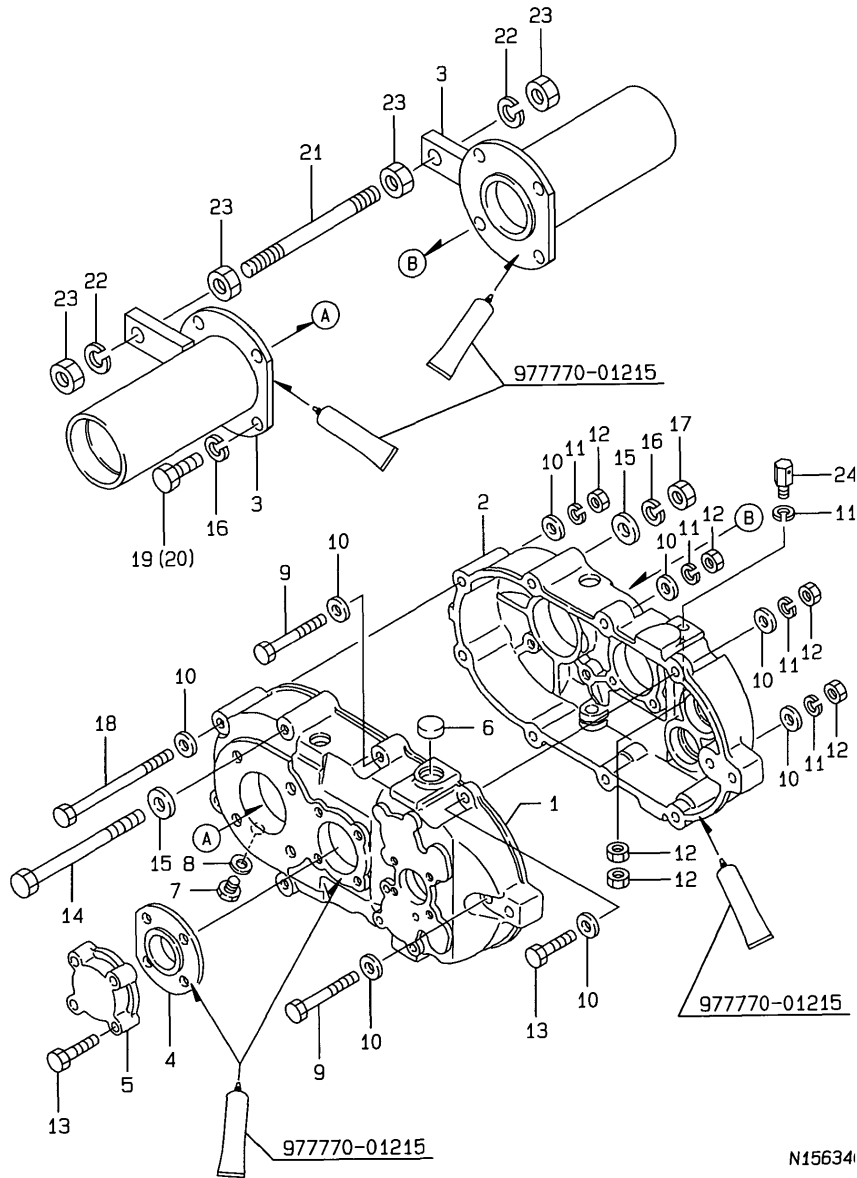


N155382

| REF. | LEV. | PARTS NO. | DESCRIPTION | QTY | | | | | | I | R |
|------|------|--------------|----------------------|-----|-----|-----|-----|-----|-----|---|---|
| | | | | (A) | (B) | (C) | (D) | (E) | (F) | | |
| 1 | 1 | 1N3506-93210 | LABEL | 1 | 1 | | | | | | |
| 2 | 1 | 1N3506-93260 | LABEL,CLUTCH | 1 | 1 | | | | | | |
| 4 | 1 | 1N3506-93320 | PLATE 500K,LOADAGE | 1 | 1 | | | | | | |
| 5 | 1 | 1N3507-93160 | LEVEL,OIL | 1 | 1 | | | | | | |
| 6 | 1 | 1N1367-93100 | LABEL | 1 | 1 | | | | | | |
| 7 | 1 | 1N3505-93290 | LABEL,DUMP SWITCHING | 1 | | | | | | | |
| 8 | 1 | 1N3503-93140 | LABEL,SWITCHING | 1 | | | | | | | |
| 9 | 1 | 1N3503-93150 | LABEL,HYDRAULIC LOCK | 1 | | | | | | | |
| 10 | 1 | 1N3503-93190 | LABEL, ACCEL | 1 | 1 | | | | | | |
| 11 | 1 | 1N3544-93360 | LABEL | 1 | 1 | | | | | | |
| 12 | 1 | 1N3544-93310 | LABEL | 1 | 1 | | | | | | |
| 13 | 1 | 1N3544-93320 | LABEL | 1 | 1 | | | | | | |
| 14 | 1 | 1N3544-93330 | LABEL | 1 | 1 | | | | | | |
| 15 | 1 | 1N3544-93340 | LABEL | 1 | 1 | | | | | | |
| 16 | 1 | 1N3544-93350 | LABEL | 1 | 1 | | | | | | |
| 17 | 1 | 1N1995-93050 | LABEL | 1 | 1 | | | | | | |
| 18 | 1 | 1N3542-93060 | STRIPE | 2 | 2 | | | | | | |
| 19 | 1 | 1N3542-93070 | STRIPE L,SIDE | 1 | 1 | | | | | | |
| 20 | 1 | 1N3542-93080 | LABEL, SIDE(R) | 1 | 1 | | | | | | |

37. TRANSMISSION CASE

(A)=FT51-7F (D)=
 (B)= (E)=
 (C)= (F)=

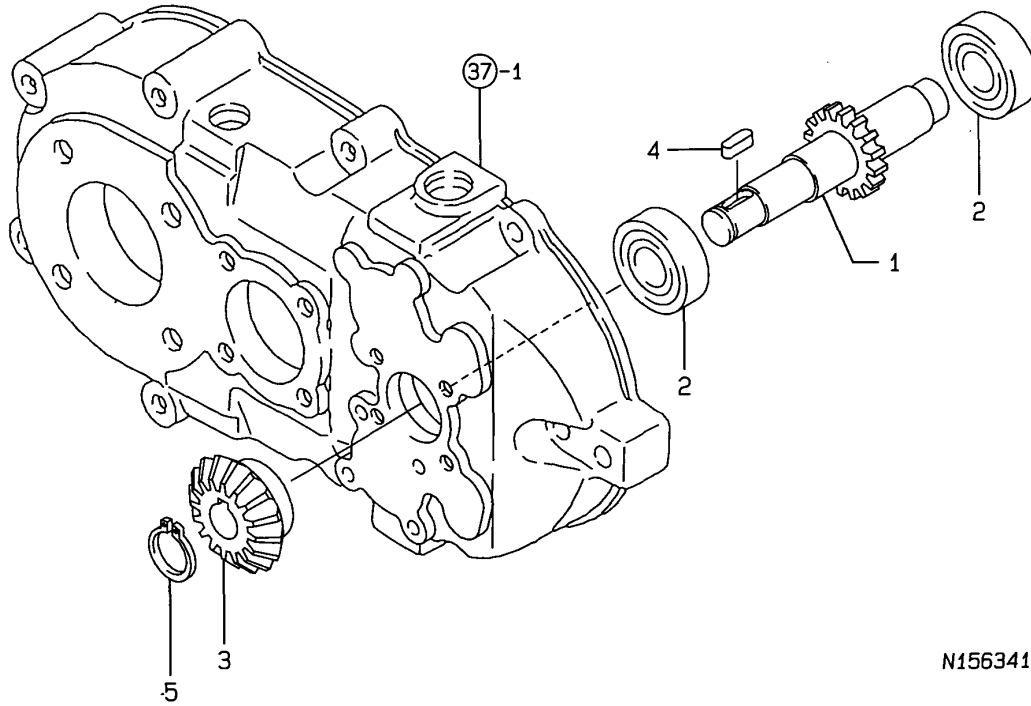


N15634

| REF. | LEV. | PARTS NO. | DESCRIPTION | QTY | | | | | | I | R |
|------|------|--------------|---------------------|-----|-----|-----|-----|-----|-----|---|---|
| | | | | (A) | (B) | (C) | (D) | (E) | (F) | | |
| 1 | 1 | 1N1995-24000 | CASE L,TRANSMISSION | 1 | | | | | | | |
| 2 | 1 | 1N1995-24010 | CASE R,TRANSMISSION | 1 | | | | | | | |
| 3 | 1 | 1N1995-24020 | HOLDER,AXLE | 2 | | | | | | | |
| 4 | 1 | 1N1360-25010 | METAL,CLUTCH PAWL | 2 | | | | | | | |
| 5 | 1 | 1N1360-24030 | COVER,BEARING | 2 | | | | | | | |
| 6 | 1 | 1N3545-24020 | PLUG,OIL | 1 | | | | | | | |
| 7 | 1 | 1N1361-24010 | PLUG,OIL DRAIN | 1 | | | | | | | |
| 8 | 1 | 1N1361-24020 | WASHER 14,SEAL | 1 | | | | | | | |
| 9 | 1 | 26117-080602 | BOLT M 8X 60 PLATED | 3 | | | | | | | |
| 10 | 1 | 22137-080000 | WASHER 8, POLISHED | 30 | | | | | | | |
| 11 | 1 | 22217-080000 | SPRING WASHER 8 | 16 | | | | | | | |
| 12 | 1 | 26717-080002 | NUT 8 | 9 | | | | | | | |
| 13 | 1 | 26117-080352 | BOLT M 8X 35 PLATED | 10 | | | | | | | |
| 14 | 1 | 26117-101202 | BOLT M10X120 PLATED | 2 | | | | | | | |
| 15 | 1 | 22137-100000 | WASHER 10,POLISHED | 4 | | | | | | | |
| 16 | 1 | 22217-100000 | SPRING WASHER 10 | 10 | | | | | | | |
| 17 | 1 | 26717-100002 | NUT M10 | 2 | | | | | | | |
| 18 | 1 | 26117-081102 | BOLT M 8X110 PLATED | 2 | | | | | | | |
| 19 | 1 | 26117-100254 | BOLT M10X25 PLATED | 6 | | | | | | | |
| 20 | 1 | 26117-100354 | BOLT M10X 35 PLATED | 2 | | | | | | | |
| 21 | 1 | 1N1150-24170 | STUD 12X180 | 1 | | | | | | | |
| 22 | 1 | 22217-120000 | SPRING WASHER | 2 | | | | | | | |
| 23 | 1 | 26717-120002 | NUT M12 | 4 | | | | | | | |
| 24 | 1 | 1N1995-24030 | VALVE,BREATHER | 1 | | | | | | | |

Remarks
 * 7N1995-20000 TRANSMISSION ASSY.

38. MAIN SHAFT



N156341

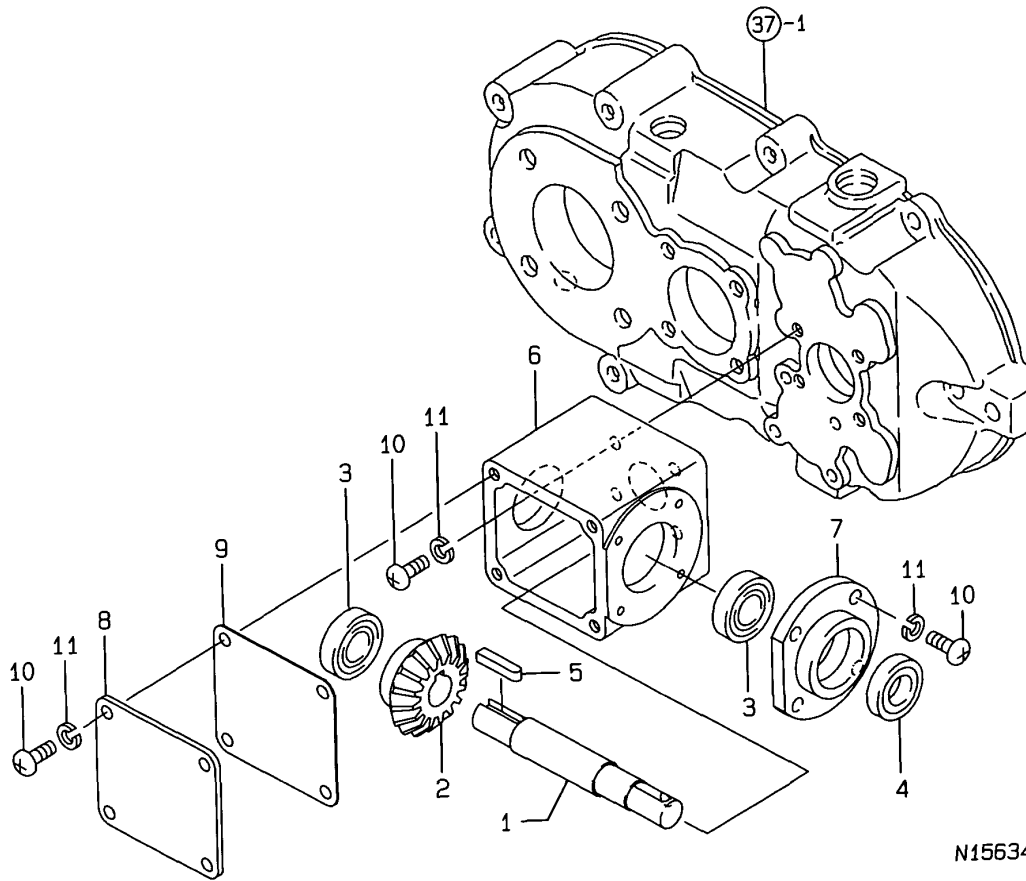
NPC-3910 38. MAIN SHAFT

(A)=FT51-7F (D)=
 (B)= (E)=
 (C)= (F)=

| REF. | LEV. | PARTS NO. | DESCRIPTION | QTY | | | | | | I | R | |
|------|------|--------------|--------------|-----|-----|-----|-----|-----|-----|---|---|--|
| | | | | (A) | (B) | (C) | (D) | (E) | (F) | | | |
| 1 | 1 | 1N1995-25060 | INPUT GEAR | 1 | | | | | | | | |
| 2 | 1 | 24101-060034 | BALL BEARING | 2 | | | | | | | | |
| 3 | 1 | 1N1995-25070 | BEVEL GEAR | 1 | | | | | | | | |
| 4 | 1 | 1N1995-25080 | KEY | 1 | | | | | | | | |
| 5 | 1 | 22242-000150 | CIRCLIP 15 | 1 | | | | | | | | |

39. BEVEL SHAFT

(A)=FT51-7F (D)=
 (B)= (E)=
 (C)= (F)=

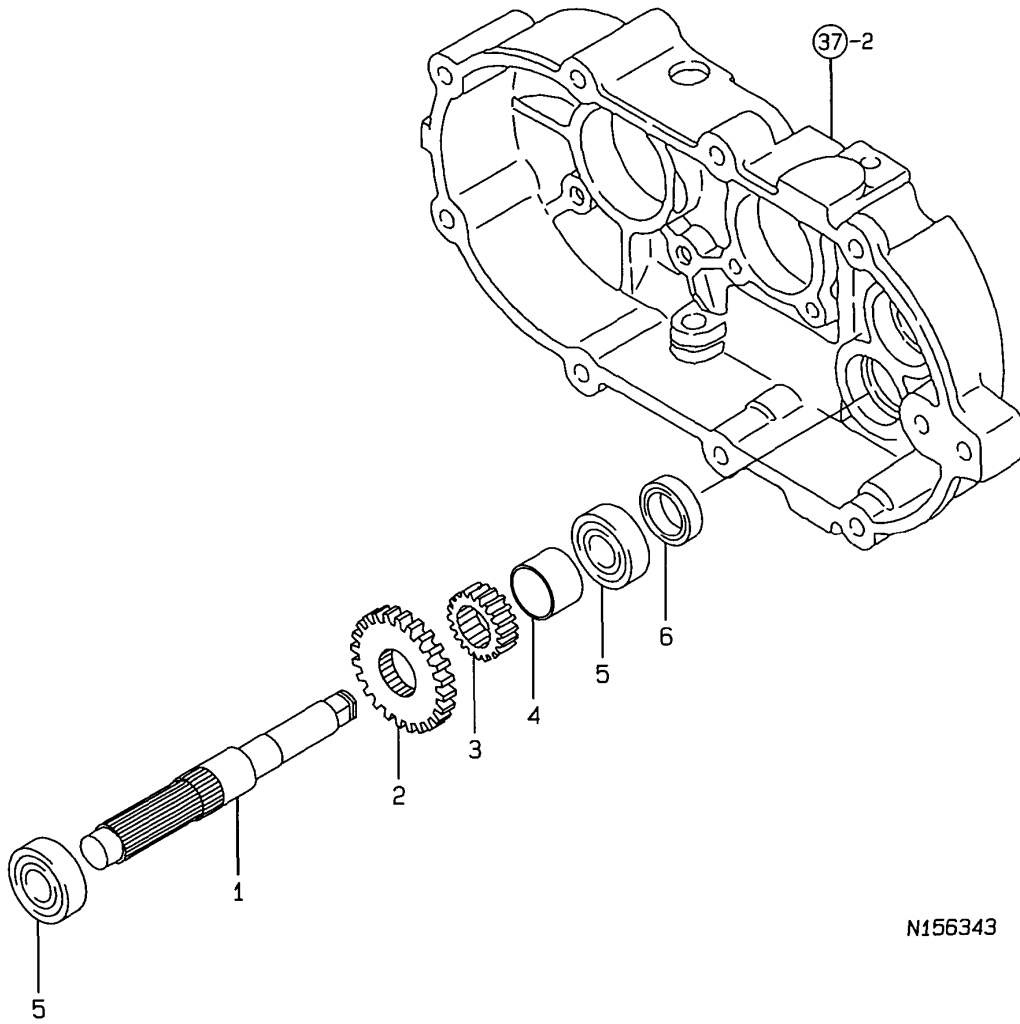


N15634

| REF. | LEV. | PARTS NO. | DESCRIPTION | QTY | | | | | | I | R |
|------|------|--------------|----------------------|-----|-----|-----|-----|-----|-----|---|---|
| | | | | (A) | (B) | (C) | (D) | (E) | (F) | | |
| 1 | 1 | 1N1995-25090 | SHAFT,INPUT BEVEL | 1 | | | | | | | |
| 2 | 1 | 1N1995-25070 | BEVEL GEAR | 1 | | | | | | | |
| 3 | 1 | 24101-060024 | BALL BEARING | 2 | | | | | | | |
| 4 | 1 | 24421-153007 | SEAL TC15 30 07, OIL | 1 | | | | | | | |
| 5 | 1 | 22550-050251 | KEY 5X25 | 1 | | | | | | | |
| 6 | 1 | 1N1995-25100 | BEVEL CASE | 1 | | | | | | | |
| 7 | 1 | 1N1995-25110 | COVER | 1 | | | | | | | |
| 8 | 1 | 1N1995-25120 | COVER, SIDE | 1 | | | | | | | |
| 9 | 1 | 1N1995-25130 | GASKET | 1 | | | | | | | |
| 10 | 1 | 26557-060162 | SCREW M 6X 16 | 12 | | | | | | | |
| 11 | 1 | 22217-060000 | SPRING WASHER 6 | 12 | | | | | | | |

40. TRANSMISSION SHAFT B

(A)=FT51-7F (D)=
 (B)= (E)=
 (C)= (F)=

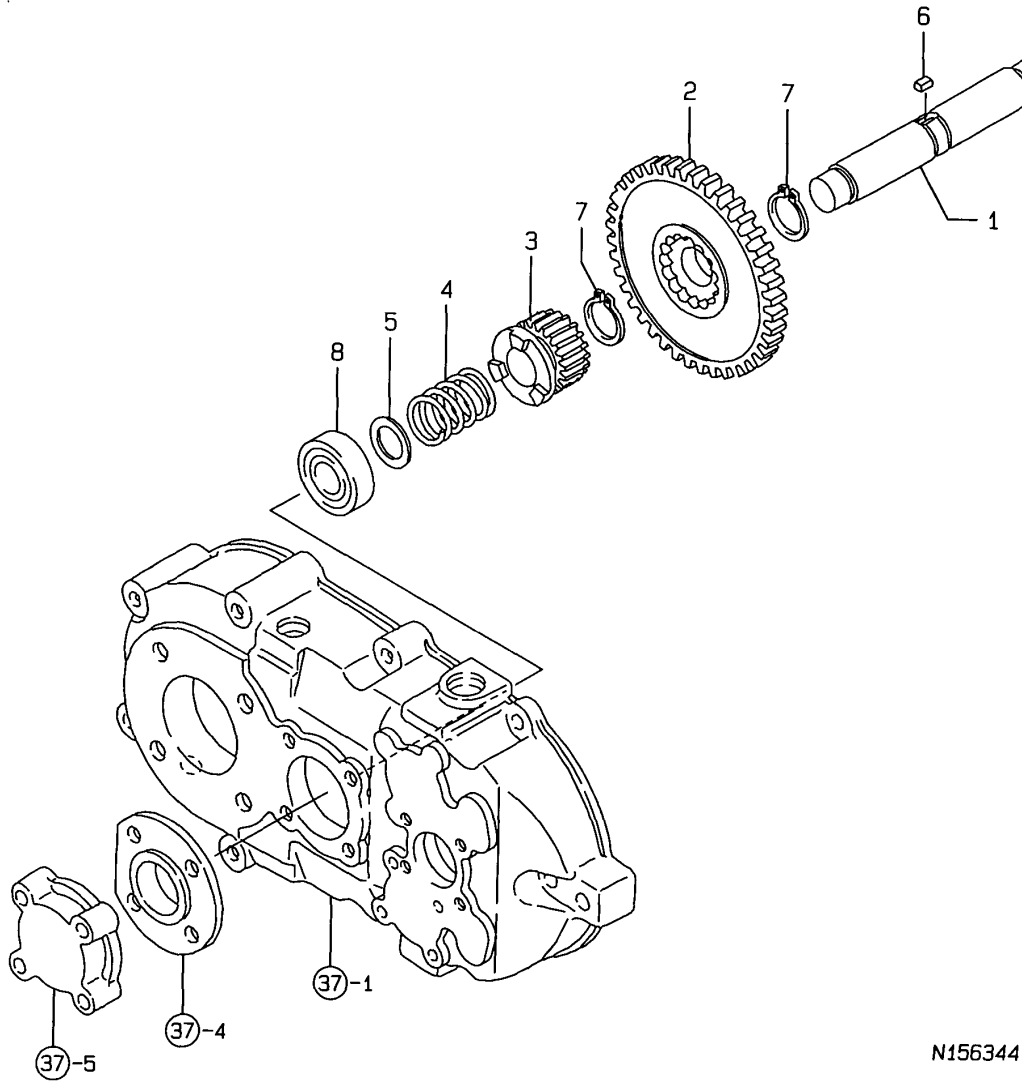


N156343

| REF. | LEV. | PARTS NO. | DESCRIPTION | QTY | | | | | | I | R | |
|------|------|--------------|----------------------|-----|-----|-----|-----|-----|-----|---|---|--|
| | | | | (A) | (B) | (C) | (D) | (E) | (F) | | | |
| 1 | 1 | 1N3521-25020 | SHAFT,BRAKE | 1 | | | | | | | | |
| 2 | 1 | 1N1995-25140 | TOP GEAR | 1 | | | | | | | | |
| 3 | 1 | 1N3521-25040 | GEAR | 1 | | | | | | | | |
| 4 | 1 | 1N1995-25150 | COLLAR | 1 | | | | | | | | |
| 5 | 1 | 24101-060034 | BALL BEARING | 2 | | | | | | | | |
| 6 | 1 | 24421-173007 | SEAL TC17 30 07, OIL | 1 | | | | | | | | |

41. SIDE CLUTCH SHAFT

(A)=FT51-7F (D)=
 (B)= (E)=
 (C)= (F)=

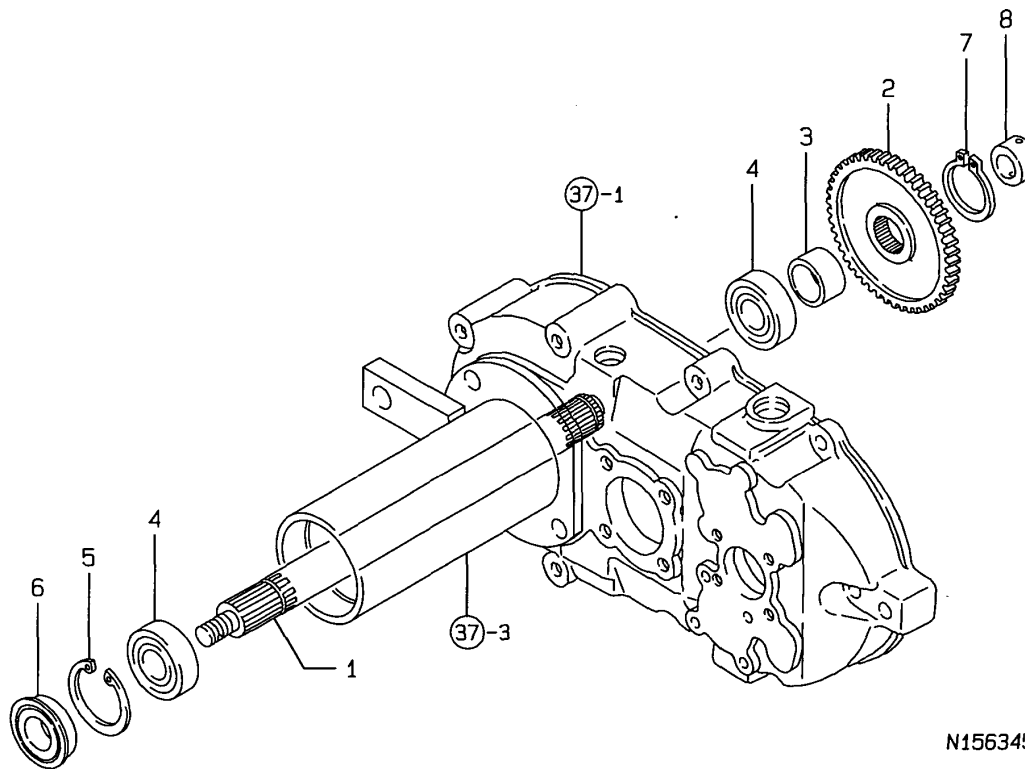


N156344

| REF. | LEV. | PARTS NO. | DESCRIPTION | QTY | | | | | | I | R |
|------|------|--------------|---------------------|-----|-----|-----|-----|-----|-----|---|---|
| | | | | (A) | (B) | (C) | (D) | (E) | (F) | | |
| 1 | 1 | 1N1360-25031 | SHAFT,CLUTCH | 1 | | | | | | | |
| 2 | 1 | 1N1350-25041 | GEAR 36T, CLUTCH | 1 | | | | | | | |
| 3 | 1 | 1N1360-25022 | GEAR,SIDE CLUTCH | 2 | | | | | | | |
| 4 | 1 | 1N1360-25001 | SPRING,SIDE CLUTCH | 2 | | | | | | | |
| 5 | 1 | 1N1350-25010 | COLLAR,CLUTCH SHAFT | 2 | | | | | | | |
| 6 | 1 | 22550-050100 | KEY 5X10 | 1 | | | | | | | |
| 7 | 1 | 22242-000220 | CIRCLIP 22 | 2 | | | | | | | |
| 8 | 1 | 24101-060044 | BALL BEARING #6004 | 2 | | | | | | | |

42. AXLE

(A)=FT51-7F (D)=
 (B)= (E)=
 (C)= (F)=

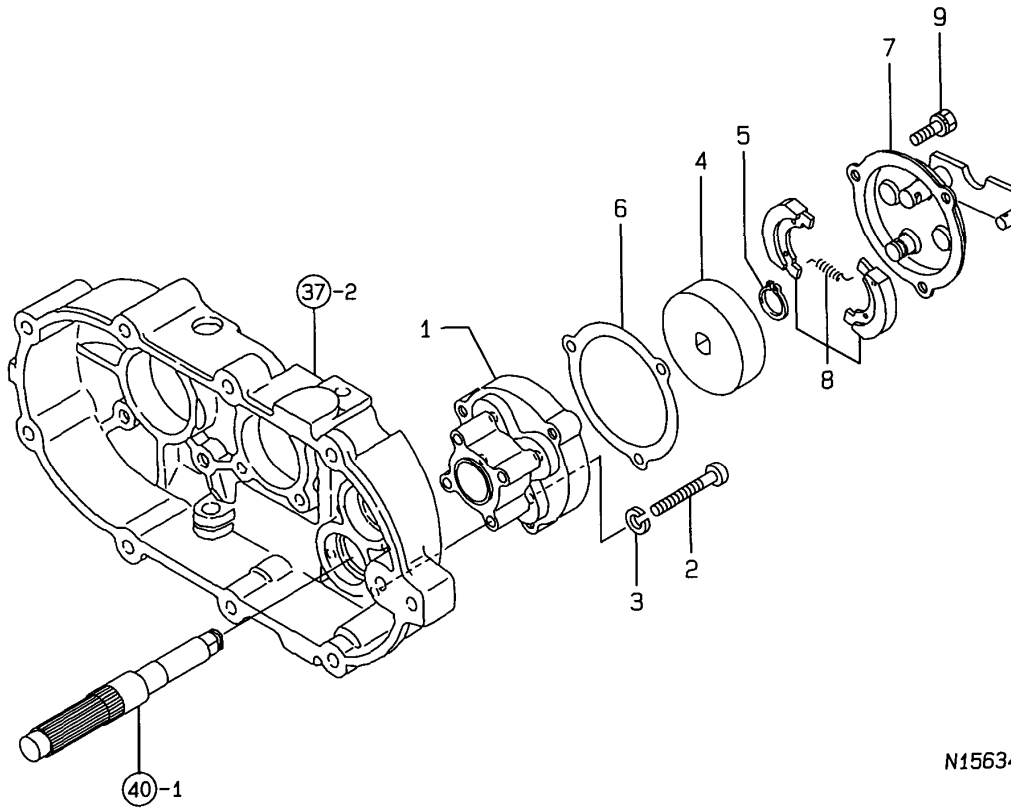


N15634!

| REF. | LEV. | PARTS NO. | DESCRIPTION | QTY | | | | | | I | R | |
|------|------|--------------|-------------------|-----|-----|-----|-----|-----|-----|---|---|--|
| | | | | (A) | (B) | (C) | (D) | (E) | (F) | | | |
| 1 | 1 | 1N1995-25160 | SHAFT | | 2 | | | | | | | |
| 2 | 1 | 1N1350-25111 | GEAR,AXLE | | 2 | | | | | | | |
| 3 | 1 | 1N1350-25120 | COLLAR,AXLE | | 2 | | | | | | | |
| 4 | 1 | 24101-060064 | BALL BEARING | | 4 | | | | | | | |
| 5 | 1 | 22252-000550 | CIRCLIP 55 | | 2 | | | | | | | |
| 6 | 1 | 1N3505-25000 | SEAL MUD-5 305518 | | 2 | | | | | | | |
| 7 | 1 | 22242-000300 | CIRCLIP 30 | | 2 | | | | | | | |
| 8 | 1 | 1N1361-25040 | COLLAR A,AXLE | | 1 | | | | | | | |

43. BRAKE

(A)=FT51-7F (D)=
 (B)= (E)=
 (C)= (F)=

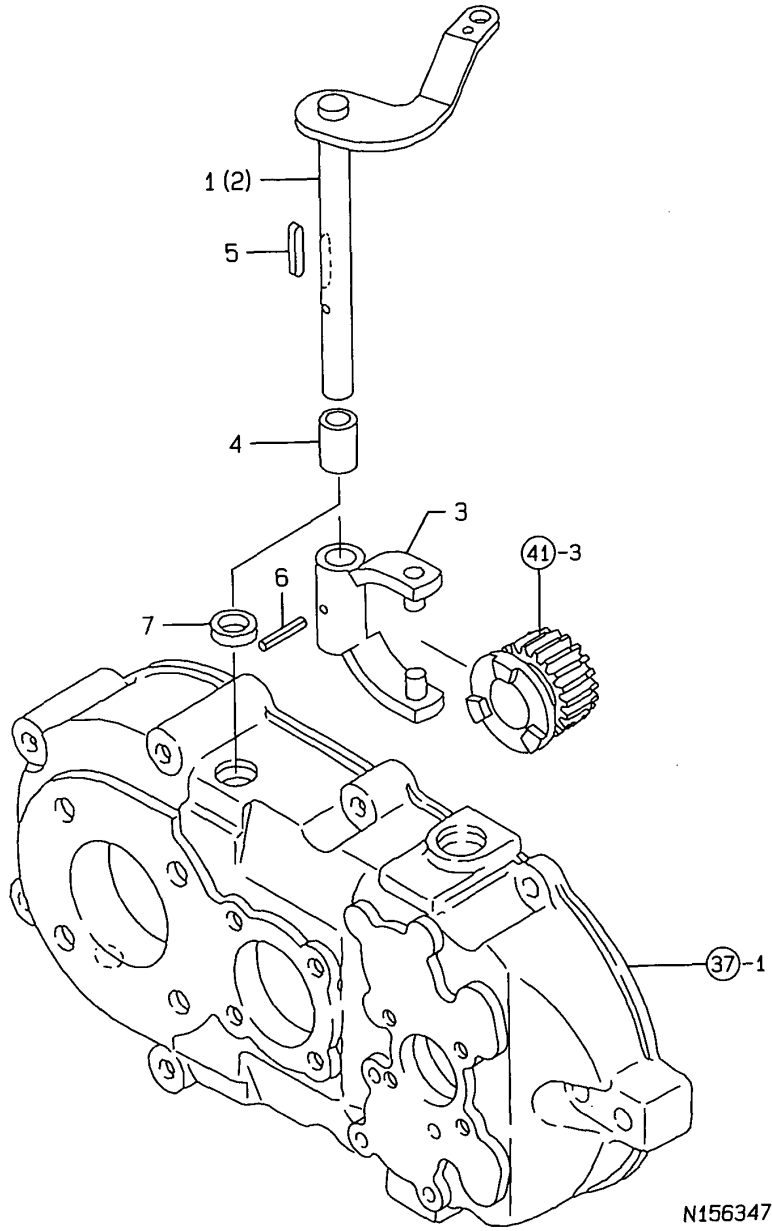


N1563

| REF. | LEV. | PARTS NO. | DESCRIPTION | QTY | | | | | | I | R |
|------|------|--------------|---------------------|-----|-----|-----|-----|-----|-----|---|---|
| | | | | (A) | (B) | (C) | (D) | (E) | (F) | | |
| 1 | 1 | 1N3521-25080 | MOUNT,BRAKE | 1 | | | | | | | |
| 2 | 1 | 26557-060452 | SCREW M 6X 45 | 4 | | | | | | | |
| 3 | 1 | 22217-060000 | SPRING WASHER 6 | 4 | | | | | | | |
| 4 | 1 | 1N3503-25230 | DRUM, BREAK | 1 | | | | | | | |
| 5 | 1 | 22242-000140 | CIRCLIP 14 | 1 | | | | | | | |
| 6 | 1 | 1N1291-25230 | PACKING,BRAKE PLATE | 1 | | | | | | | |
| 7 | 1 | 1N3503-25250 | PLATE COMP.,BRAKE | 1 | | | | | | | |
| 8 | 1 | 7N3503-25000 | BRAKE SHOE ASSY. | 1 | | | | | | | |
| 9 | 1 | 26016-060144 | BOLT M 6X 14 | 3 | | | | | | | |

44. SIDE CLUTCH

(A)=FT51-7F (D)=
 (B)= (E)=
 (C)= (F)=



| REF. | LEV. | PARTS NO. | DESCRIPTION | QTY | | | | | | I | R |
|------|------|--------------|-------------------|-----|-----|-----|-----|-----|-----|---|---|
| | | | | (A) | (B) | (C) | (D) | (E) | (F) | | |
| 1 | 1 | 1N3521-26000 | ROD,CLUTCH | 1 | | | | | | | |
| 2 | 1 | 1N3521-26010 | ROD (R), CLUTCH | 1 | | | | | | | |
| 3 | 1 | 1N1350-25071 | SHIFTER S,GEAR | 2 | | | | | | | |
| 4 | 1 | 1N3542-26030 | COLLAR | 2 | | | | | | | |
| 5 | 1 | 1N3542-26040 | KEY | 2 | | | | | | | |
| 6 | 1 | 1N1350-24040 | PIN 4X22,SPIROLL | 2 | | | | | | | |
| 7 | 1 | 1N1350-25090 | O-RING,CLUTCH ROD | 2 | | | | | | | |